

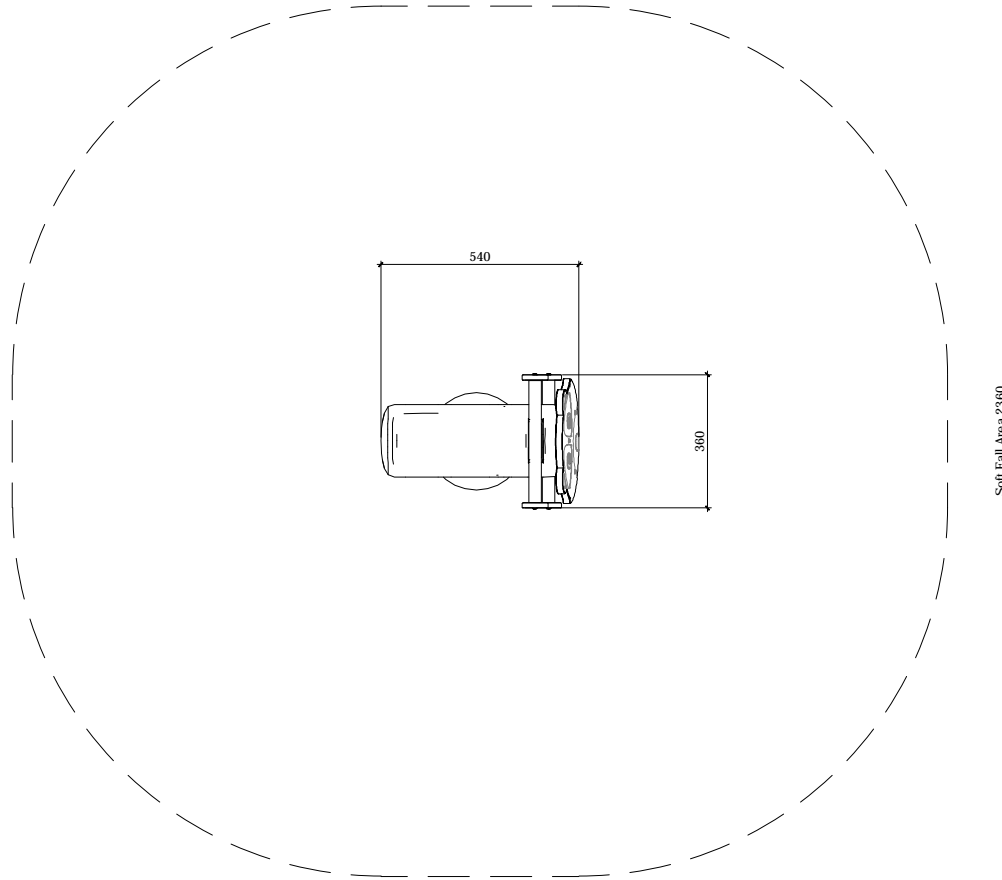
Robiniastory

2900 SERIES – STORY TIME

Model Name: **UL-WS2902**

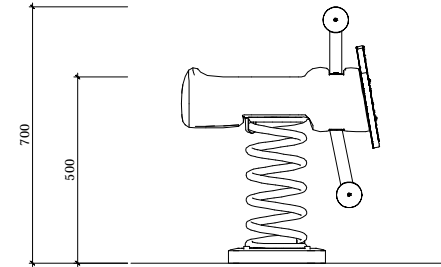


Soft Fall Area 2540

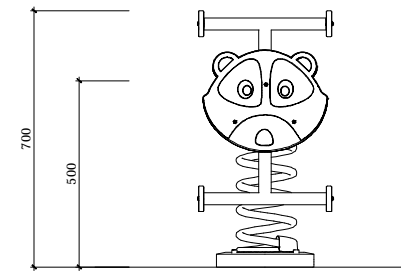


PLAN LAYOUT

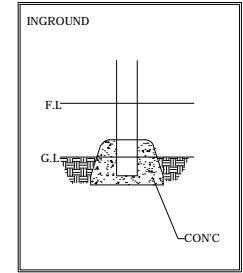
Soft Fall Area 2360



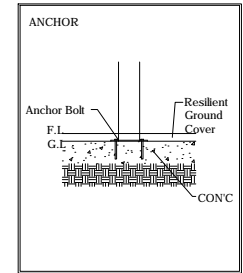
ELEVATION - FRONT



ELEVATION - RIGHT



Scale : NTS



Scale : NTS

TYPICAL FOOTING DETAILS

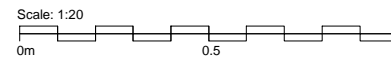
Specification
Product Category : Story Time
Model Name : UL-WS2902
Standards: AS4685 Parts1-6 & 11 - 2014
Scale: 1:20 @ A4

Summary:

- Play structure size : 0.5m x 0.4m
- Approx. soft fall area : 5.1m²
- Approx. soft fall size : 2.5m x 2.4m
- Accommodates : 1 children
- Overall height : 0.7m
- Free height of fall : 0.5m



CRS Creative Recreation Solutions PTY LTD
 Address: Unit 1/25 Durgadin Drive Albion Park Rail NSW 2527
 Phone: (02) 4256 2991 Fax: (02) 4256 3991 E-mail: info@crs.net.au Web: www.crs.net.au



Note:
 • DO NOT mirror, reverse or reflect this design
 • DO NOT scale in any way
 If in doubt ask one of our friendly staff:
 Phone: (02) 4256 2991 E-mail: info@crs.net.au

