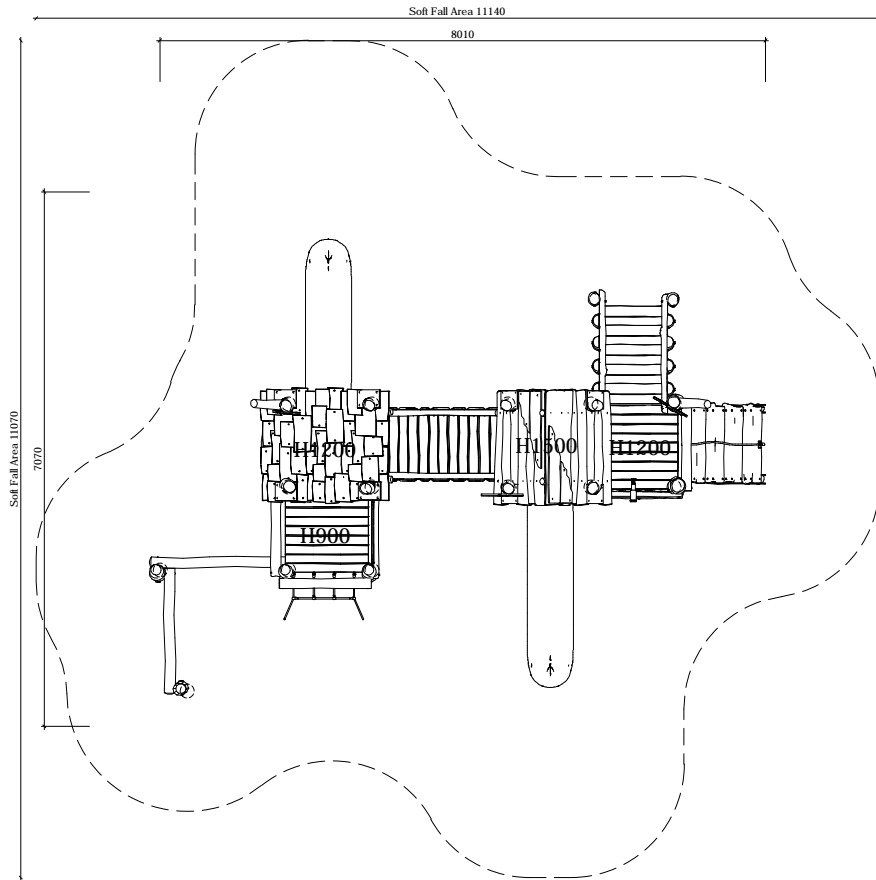


# Robinia story

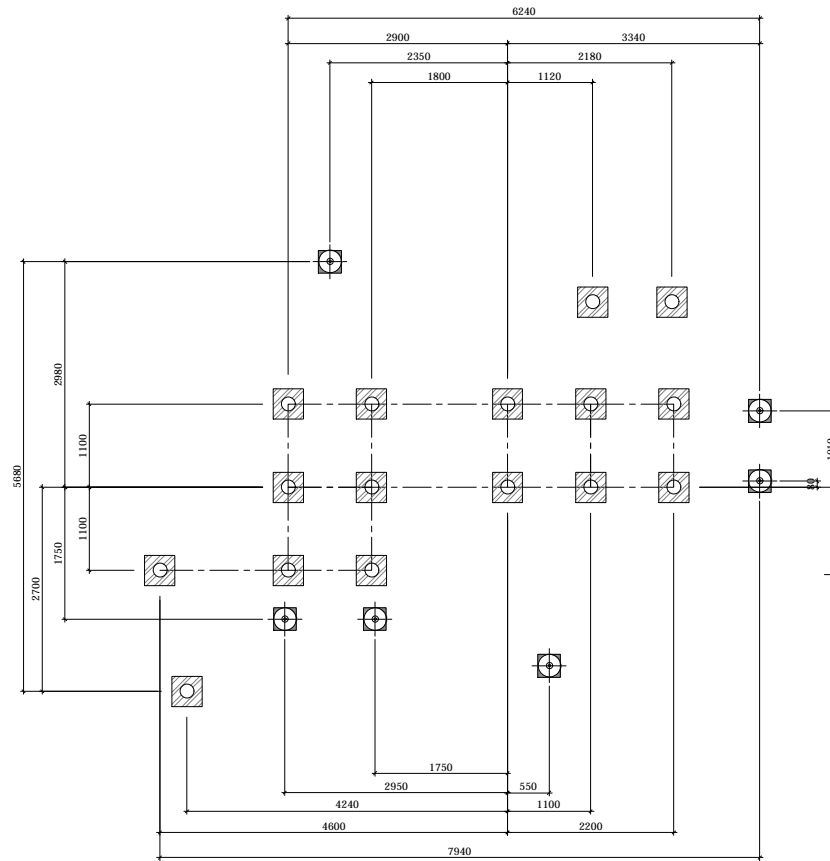
2200 SERIES – TREE HOUSE VILLAGE

Model Name: **UL-WS2206-1**

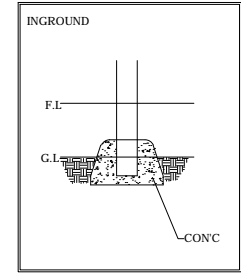




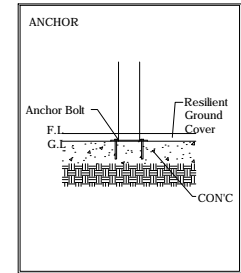
PLAN LAYOUT



FOOTING LAYOUT



Scale : NTS



Scale : NTS

TYPICAL FOOTING DETAILS

Specification

Product Category : Tree House Village

Model Name : UL-WS2206-1

Standards: AS4685 Parts1-6 & 11 - 2014

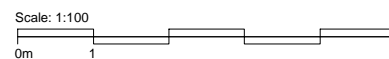
Scale: 1:100 @ A4

Summary:

- Play structure size : 8.0m x 7.1m
- Approx. soft fall area : 81.5m<sup>2</sup>
- Approx. soft fall size : 11.1m x 11.1m
- Accommodates : 15 to 20 children
- Overall height : 5.3m
- Free height of fall : 1.5m



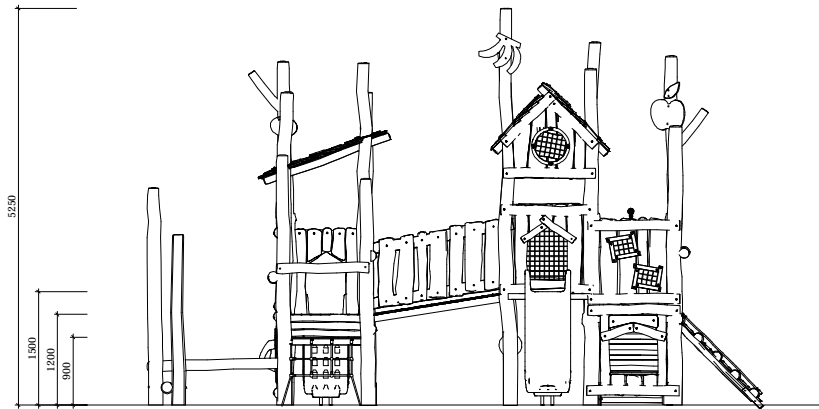
CRS Creative Recreation Solutions PTY LTD  
 Address: Unit 1/25 Durgadin Drive Albion Park Rail NSW 2527  
 Phone: (02) 4256 2991 Fax: (02) 4256 3991 E-mail: info@crs.net.au Web: www.crs.net.au



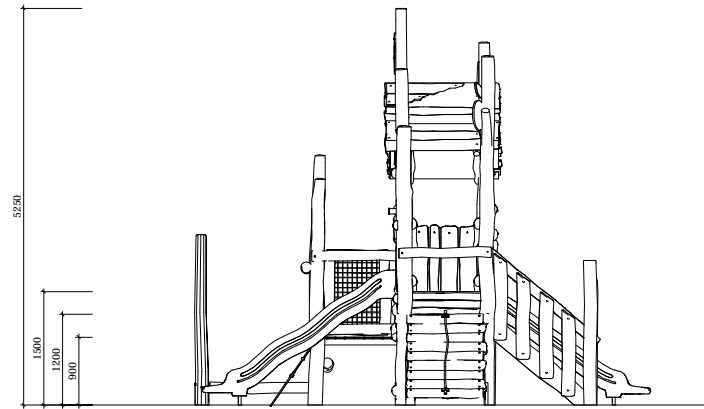
Note:  
 • DO NOT mirror, reverse or reflect this design  
 • DO NOT scale in any way

If in doubt ask one of our friendly staff:  
 Phone: (02) 4256 2991 E-mail: info@crs.net.au

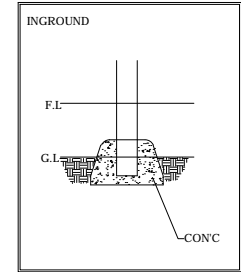




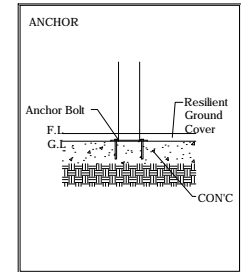
ELEVATION - FRONT



ELEVATION - RIGHT



Scale : NTS



Scale : NTS

TYPICAL FOOTING DETAILS

Specification

Product Category : Tree House Village

Model Name : UL-WS2206-1

Standards: AS4685 Parts1-6 & 11 - 2014

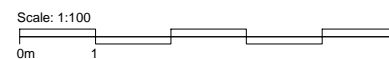
Scale: 1:100 @ A4

Summary:

- Play structure size : 8.0m x 7.1m
- Approx. soft fall area : 81.5m<sup>2</sup>
- Approx. soft fall size : 11.1m x 11.1m
- Accommodates : 15 to 20 children
- Overall height : 5.3m
- Free height of fall : 1.5m



CRS Creative Recreation Solutions PTY LTD  
 Address: Unit 1/25 Durgadin Drive Albion Park Rail NSW 2527  
 Phone: (02) 4256 2991 Fax: (02) 4256 3991 E-mail: info@crs.net.au Web: www.crs.net.au



- Note:
- DO NOT mirror, reverse or reflect this design
  - DO NOT scale in any way

If in doubt ask one of our friendly staff:  
 Phone: (02) 4256 2991 E-mail: info@crs.net.au

