

Robinia story

2400 SERIES – JOURNEY

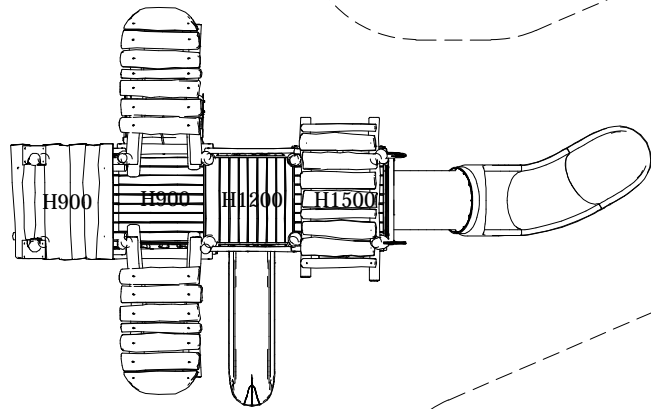
Model Name: **UL-WS2402**



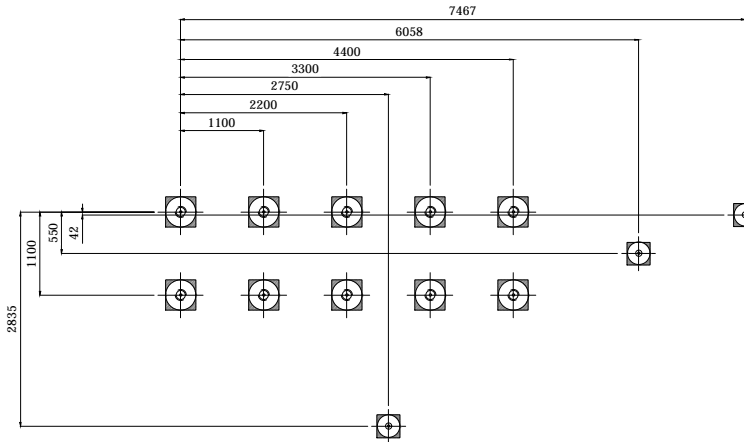
Soft Fall Area 11790

8044

Soft Fall Area 8775
5275

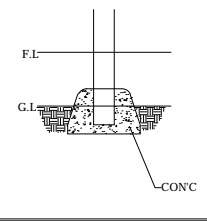


PLAN LAYOUT



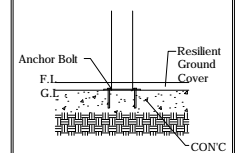
FOOTING LAYOUT

INGROUND



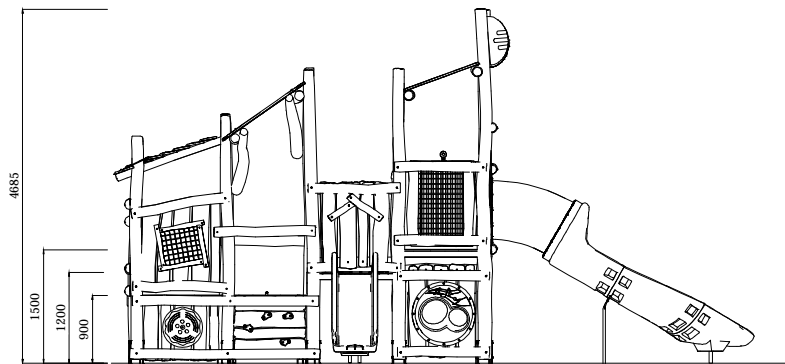
Scale : NTS

ANCHOR

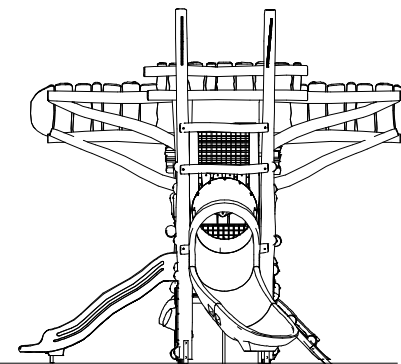


Scale : NTS

TYPICAL FOOTING DETAILS



ELEVATION - FRONT



ELEVATION - RIGHT

Specification

Product Category : Journey

Model Name : UL-WS2402

Standards: AS4685 Parts1-6 & 11 - 2014

Scale: 1:100 @ A4

Summary:

- Play structure size : 8.0m x 5.3m
- Approx. soft fall area : 69.0m²
- Approx. soft fall size : 11.8m x 8.8m
- Accommodates : 10 to 15 children
- Overall height : 4.7m
- Free height of fall : 1.5m



CRS Creative Recreation Solutions PTY LTD

Address: Unit 1/25 Durgadin Drive Albion Park Rail NSW 2527

Phone: (02) 4256 2991 Fax: (02) 4256 3991 E-mail: info@crs.net.au Web: www.crs.net.au

Scale: 1:100



Note:

- DO NOT mirror, reverse or reflect this design
- DO NOT scale in any way

If in doubt ask one of our friendly staff:

Phone: (02) 4256 2991 E-mail: info@crs.net.au

