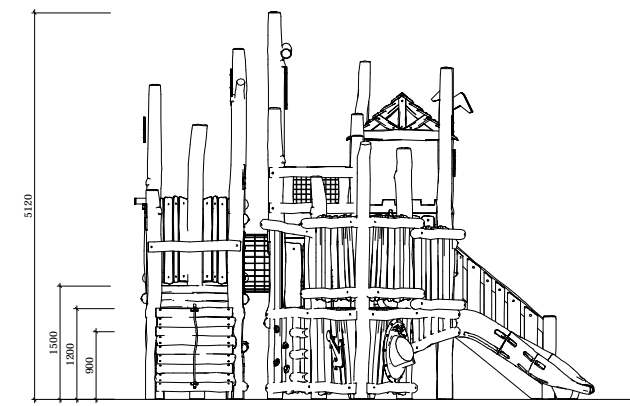
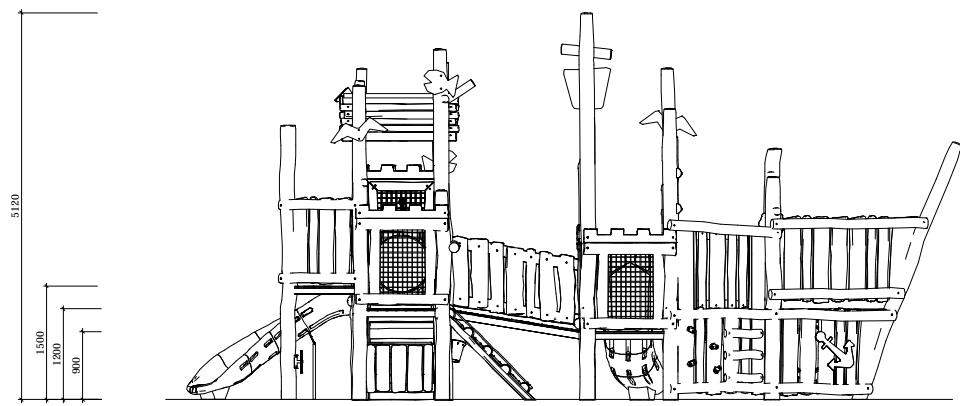
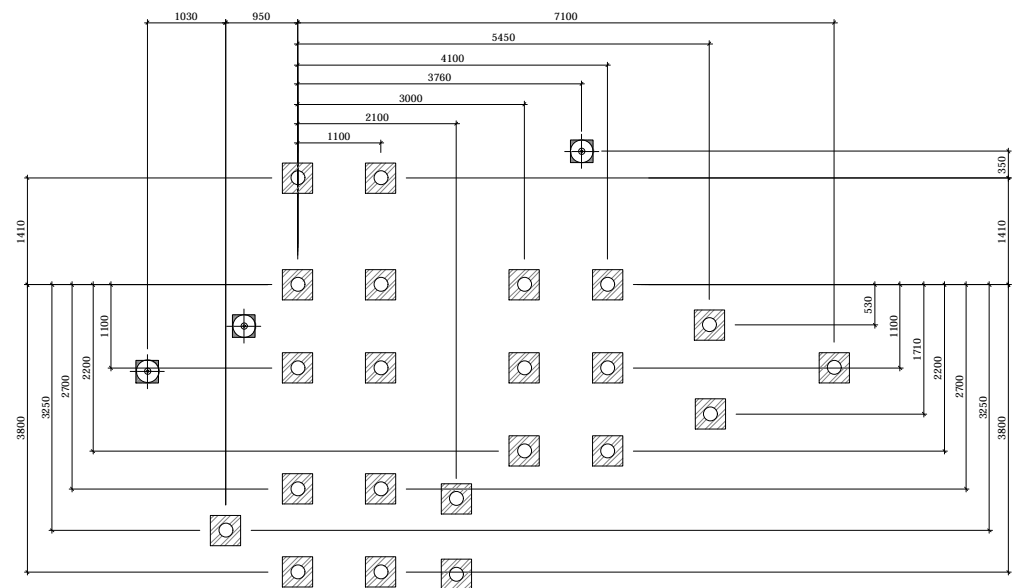
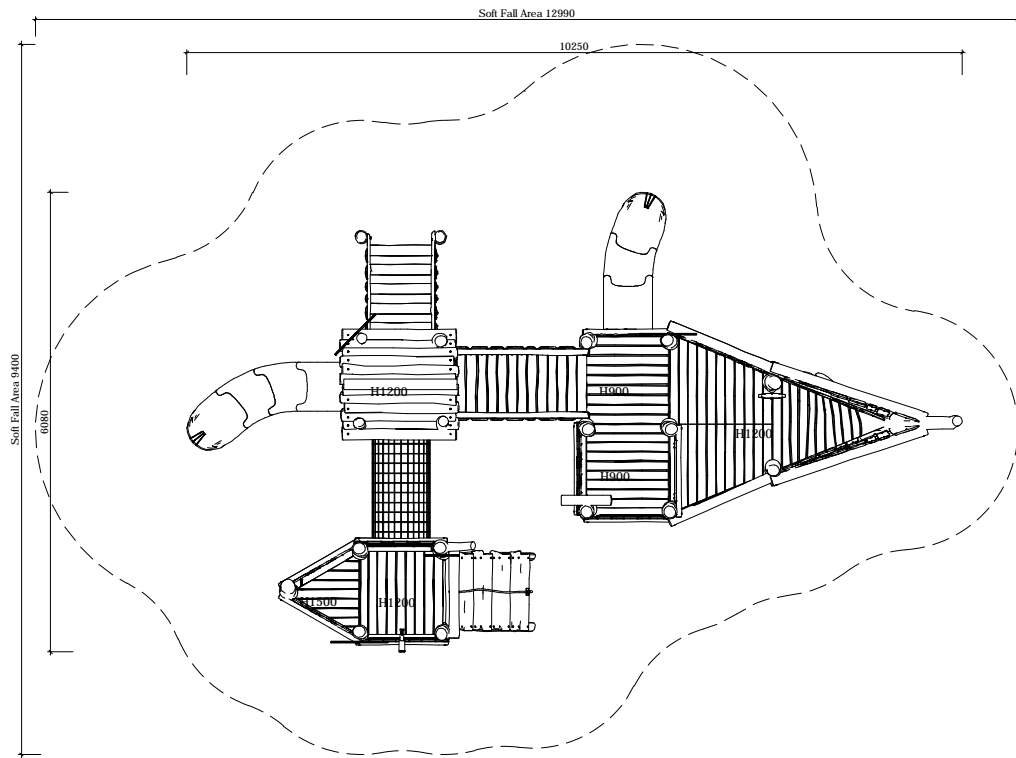


# Robinia story

2300 SERIES – ENCHANTED CASTLE

Model Name: **UL-WS2306**



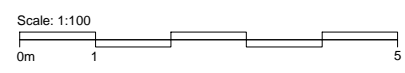


Specification
Product Category : Enchanted Castle
Model Name : UL-WS2306
Standards: AS4685 Parts1-6 & 11 - 2014
Scale: 1:100 @ A4

- Summary:
- Play structure size : 10.3m x 6.1m
  - Approx. soft fall area : 80.2m<sup>2</sup>
  - Approx. soft fall size : 13.0m x 9.4m
  - Accommodates : 25 to 30 children
  - Overall height : 5.1m
  - Free height of fall : 1.5m



CRS Creative Recreation Solutions PTY LTD  
 Address: Unit 1/25 Durgadin Drive Albion Park Rail NSW 2527  
 Phone: (02) 4256 2991 Fax: (02) 4256 3991 E-mail: info@crs.net.au Web: www.crs.net.au



Note:  
 • DO NOT mirror, reverse or reflect this design  
 • DO NOT scale in any way  
 If in doubt ask one of our friendly staff:  
 Phone: (02) 4256 2991 E-mail: info@crs.net.au