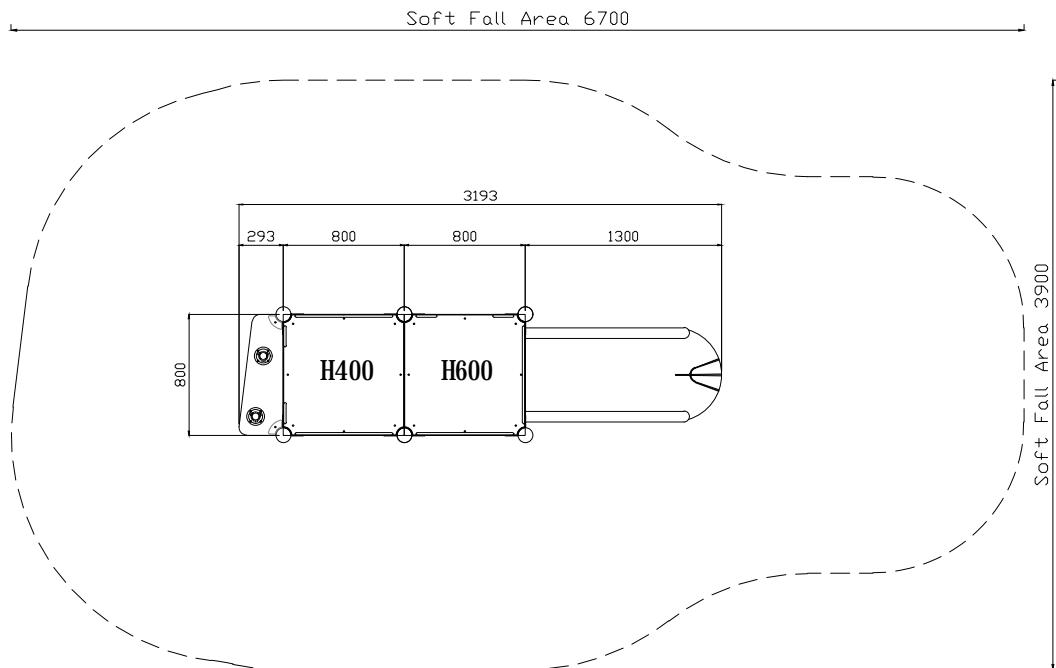


# woodstory

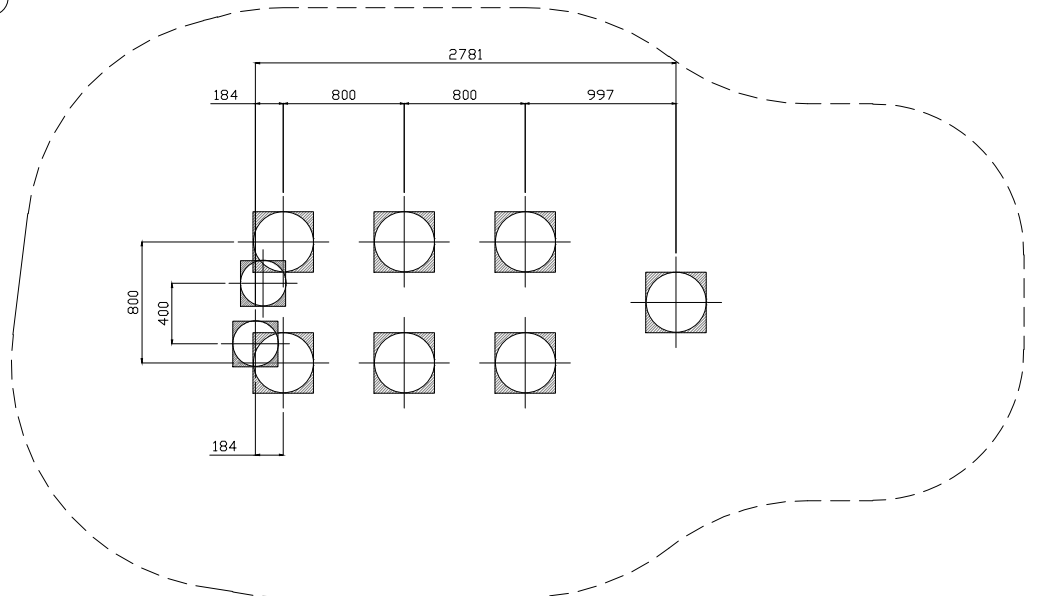
500 series

Model Name: **UL-WS513**

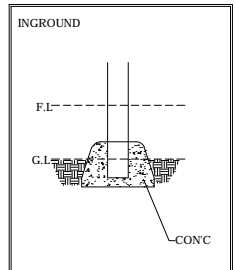




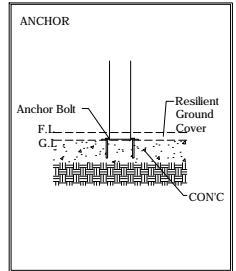
PLAN LAYOUT



FOOTING LAYOUT



Scale : NTS



Scale : NTS

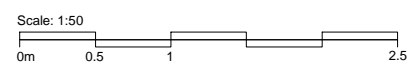
TYPICAL FOOTING DETAILS

Specification
Product Category : Wood Story - 500 Series
Model Name : UL-WS513
Standards: AS4685 Parts1-6 & 11 - 2014
Scale: 1:50 @ A4

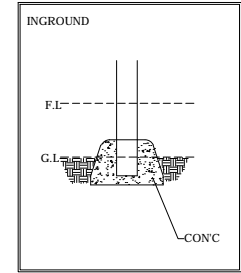
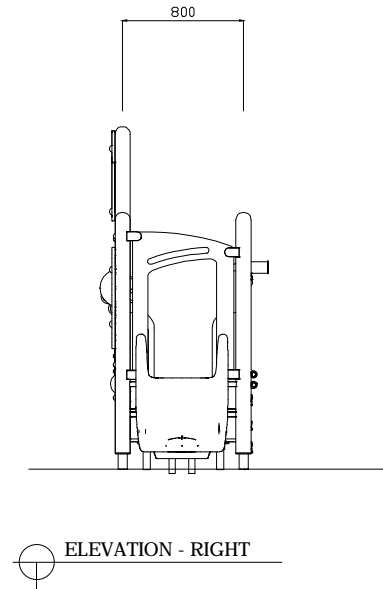
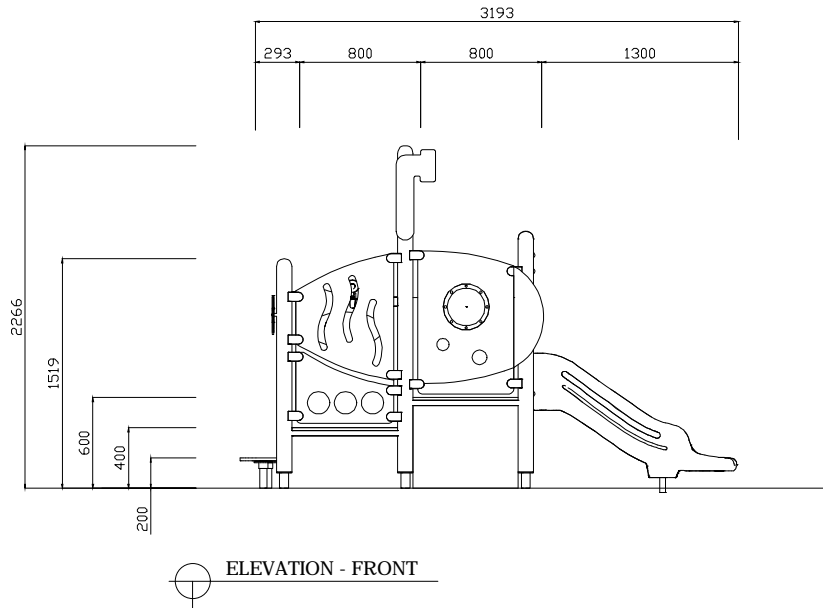
- Summary:
- Play structure size : 3.2m x 1.0m
  - Approx. soft fall area : 21.4m<sup>2</sup>
  - Approx. soft fall size : 6.7m x 3.9m
  - Accommodates : 2 to 5 children
  - Overall height : 2.3m
  - Free height of fall : 0.6m



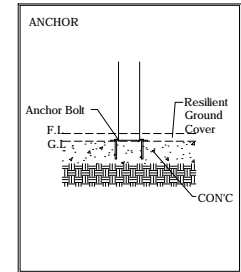
CRS Creative Recreation Solutions PTY LTD  
 Address: Unit 1/25 Durgadin Drive Albion Park Rail NSW 2527  
 Phone: (02) 4256 2991 Fax: (02) 4256 3991 E-mail: info@crs.net.au Web: www.crs.net.au



Note:  
 • DO NOT mirror, reverse or reflect this design  
 • DO NOT scale in any way  
 If in doubt ask one of our friendly staff:  
 Phone: (02) 4256 2991 E-mail: info@crs.net.au



Scale : NTS



Scale : NTS

TYPICAL FOOTING DETAILS

Specification

Product Category : Wood Story - 500 Series

Model Name : UL-WS513

Standards: AS4685 Parts1-6 & 11 - 2014

Scale: 1:50 @ A4

Summary:

- Play structure size : 3.2m x 1.0m
- Approx. soft fall area : 21.4m<sup>2</sup>
- Approx. soft fall size : 6.7m x 3.9m
- Accommodates : 2 to 5 children
- Overall height : 2.3m
- Free height of fall : 0.6m

