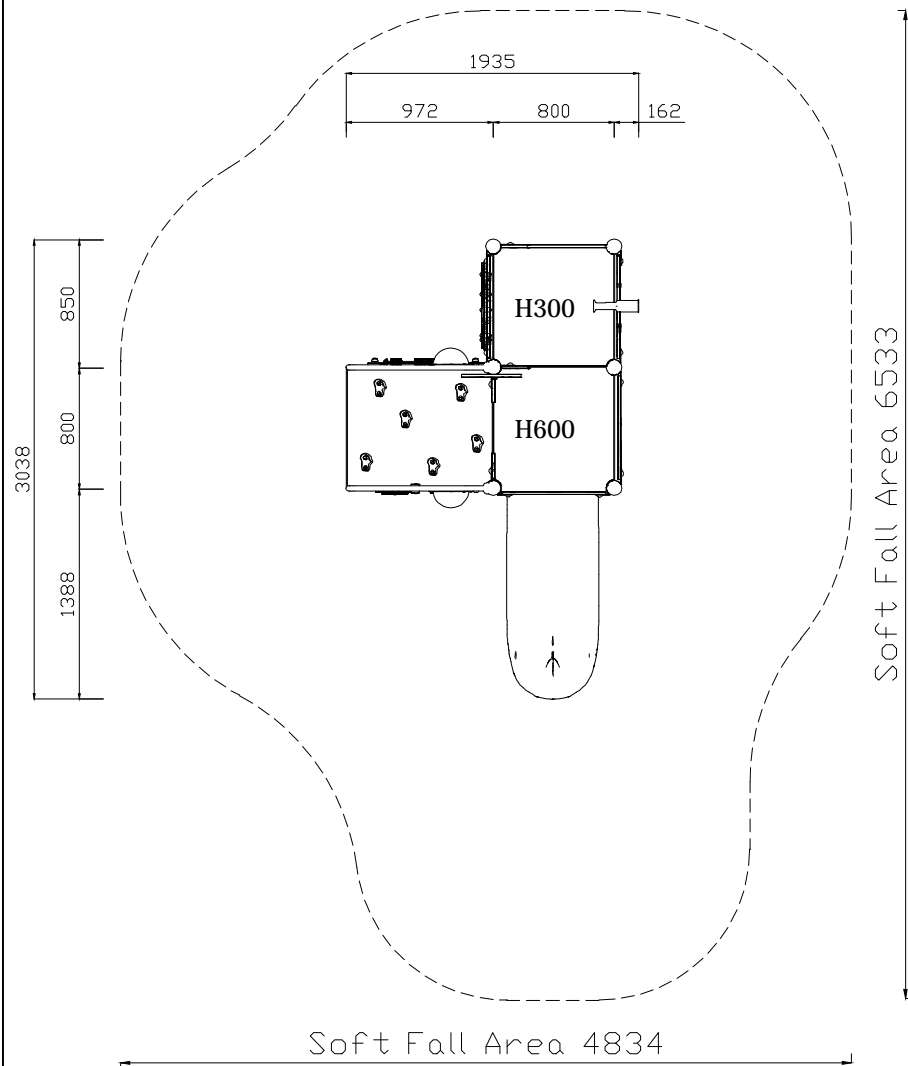


# woodstory

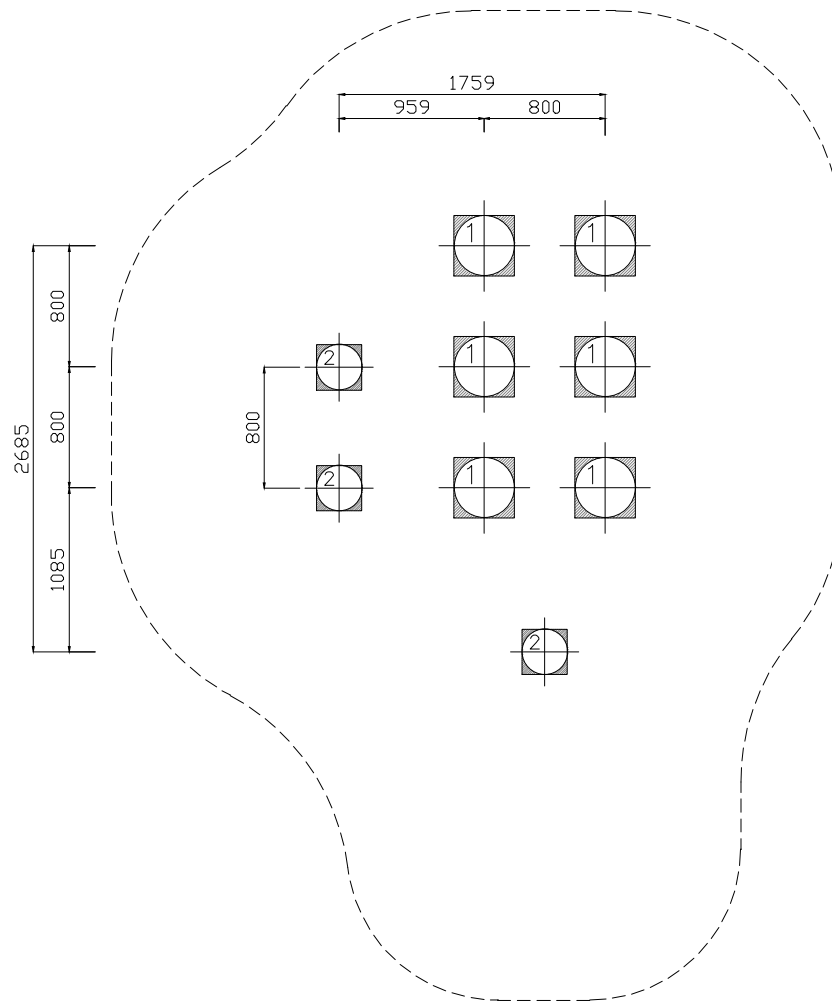
500 series

Model Name: **UL-WS512**

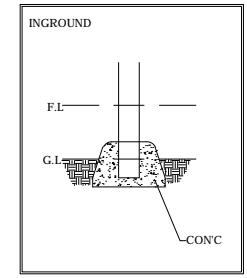




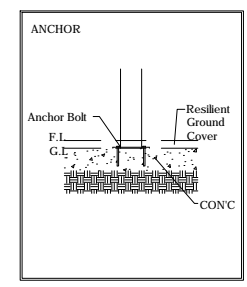
PLAN LAYOUT



FOOTING LAYOUT



Scale : NTS



Scale : NTS

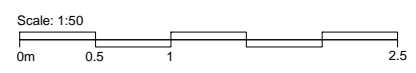
TYPICAL FOOTING DETAILS

Specification
Product Category : Wood Story - 500 Series
Model Name : UL-WS512
Standards: AS4685 Parts1-6 & 11 - 2014
Scale: 1:50 @ A4

- Summary:
- Play structure size : 1.9m x 2.0m
  - Approx. soft fall area : 24.3m<sup>2</sup>
  - Approx. soft fall size : 6.5m x 4.8m
  - Accommodates : 5 to 8 children
  - Overall height : 2.6m
  - Free height of fall : 0.6m

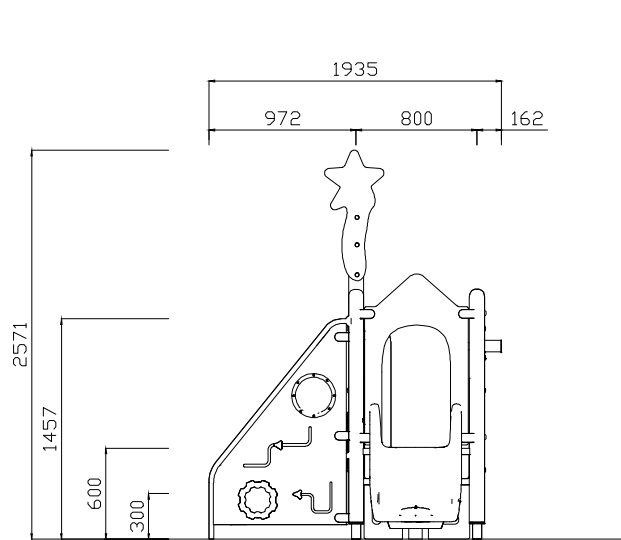


CRS Creative Recreation Solutions PTY LTD  
 Address: Unit 1/25 Durgadin Drive Albion Park Rail NSW 2527  
 Phone: (02) 4256 2991 Fax: (02) 4256 3991 E-mail: info@crs.net.au Web: www.crs.net.au

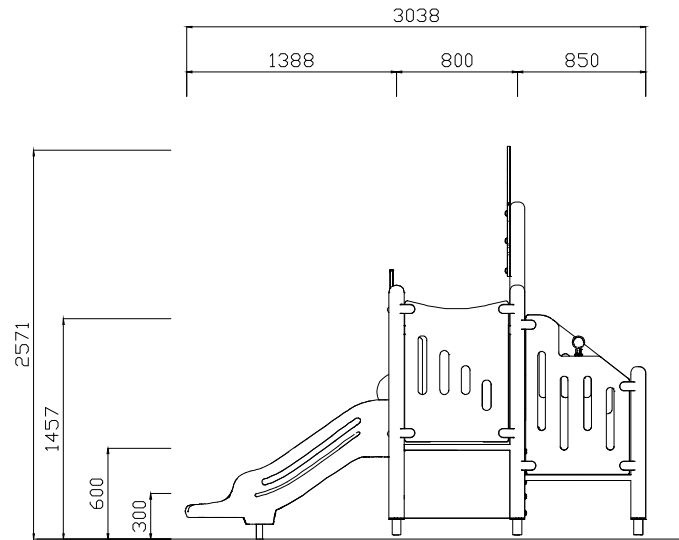


Note:  
 • DO NOT mirror, reverse or reflect this design  
 • DO NOT scale in any way  
 If in doubt ask one of our friendly staff:  
 Phone: (02) 4256 2991 E-mail: info@crs.net.au

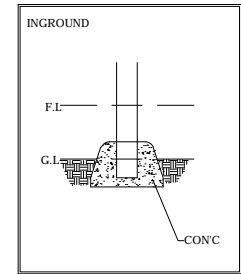




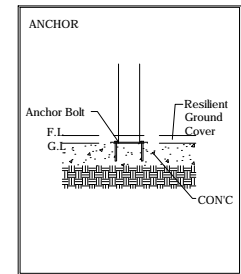
ELEVATION - FRONT



ELEVATION - RIGHT



Scale : NTS



Scale : NTS

TYPICAL FOOTING DETAILS

Specification

Product Category : Wood Story - 500 Series

Model Name : UL-WS512

Standards: AS4685 Parts1-6 & 11 - 2014

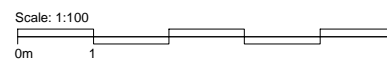
Scale: 1:100 @ A4

Summary:

- Play structure size : 1.9m x 2.0m
- Approx. soft fall area : 24.3m<sup>2</sup>
- Approx. soft fall size : 6.5m x 4.8m
- Accommodates : 5 to 8 children
- Overall height : 2.6m
- Free height of fall : 0.6m



CRS Creative Recreation Solutions PTY LTD  
 Address: Unit 1/25 Durgadin Drive Albion Park Rail NSW 2527  
 Phone: (02) 4256 2991 Fax: (02) 4256 3991 E-mail: info@crs.net.au Web: www.crs.net.au



Note:  
 • DO NOT mirror, reverse or reflect this design  
 • DO NOT scale in any way

If in doubt ask one of our friendly staff:  
 Phone: (02) 4256 2991 E-mail: info@crs.net.au

