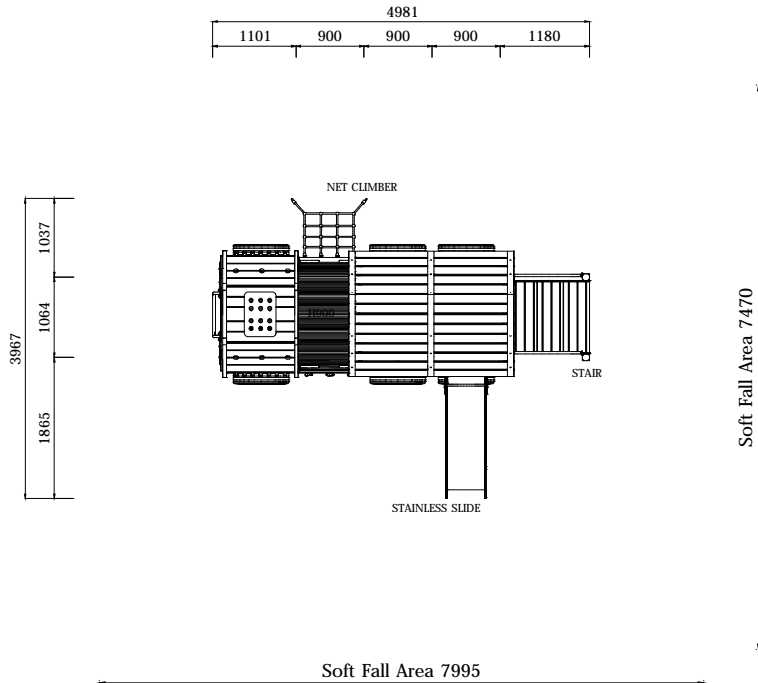


# woodstory

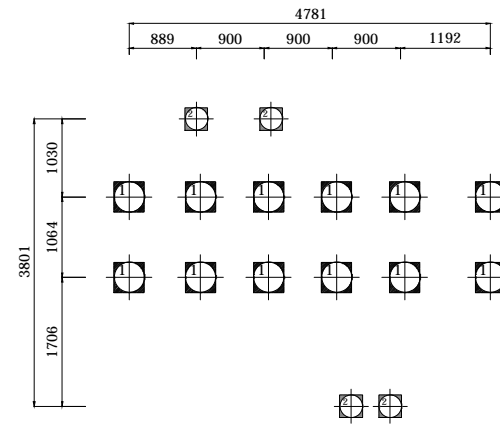
200 series

Model Name: **UL-WS209**

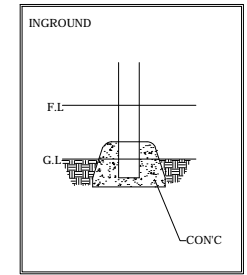




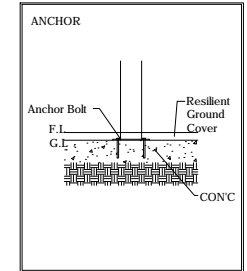
PLAN LAYOUT



FOOTING LAYOUT

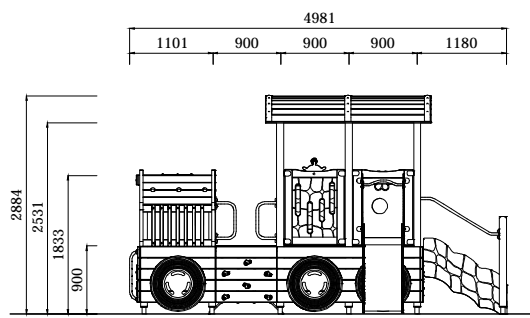


Scale : NTS

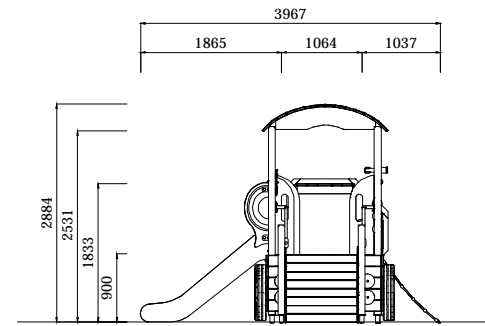


Scale : NTS

TYPICAL FOOTING DETAILS



ELEVATION - FRONT



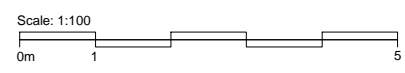
ELEVATION - RIGHT

Specification
Product Category : Woodstory - 200 Series
Model Name : UL-WS209
Standards: AS4685 Parts1-6 & 11 - 2014
Scale: 1:100 @ A4

- Summary:
- Play structure size : 4.9m x 4.0m
  - Approx. soft fall area : 42.6m<sup>2</sup>
  - Approx. soft fall size : 8.0m x 7.5m
  - Accommodates : 5 to 10 children
  - Overall height : 2.9m
  - Free height of fall : 0.9m



CRS Creative Recreation Solutions PTY LTD  
 Address: Unit 1/25 Durgadin Drive Albion Park Rail NSW 2527  
 Phone: (02) 4256 2991 Fax: (02) 4256 3991 E-mail: info@crs.net.au Web: www.crs.net.au



Note:  
 • DO NOT mirror, reverse or reflect this design  
 • DO NOT scale in any way  
 If in doubt ask one of our friendly staff:  
 Phone: (02) 4256 2991 E-mail: info@crs.net.au