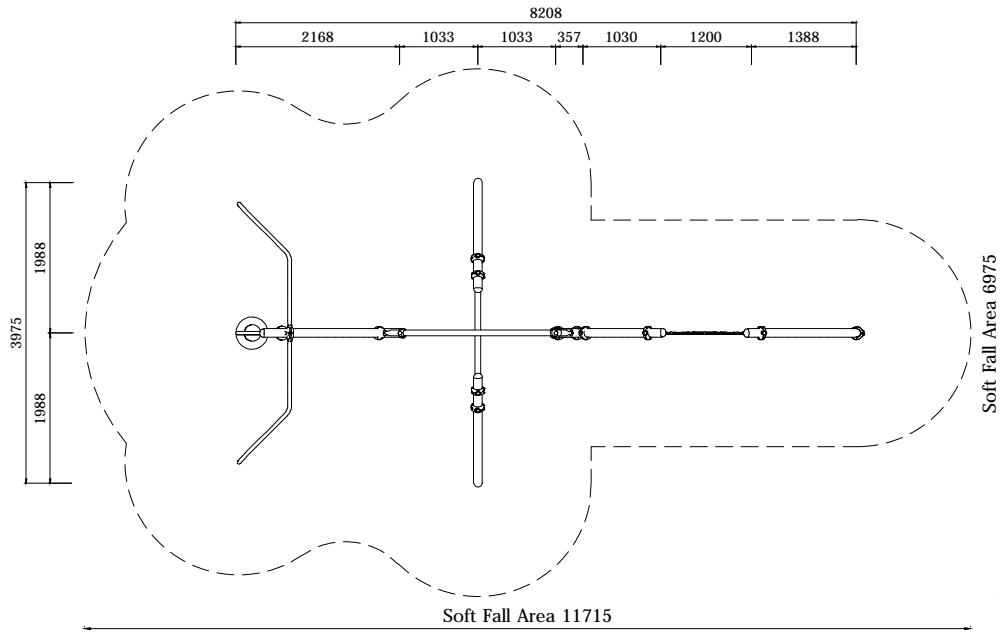


CLIMBING & BALANCING

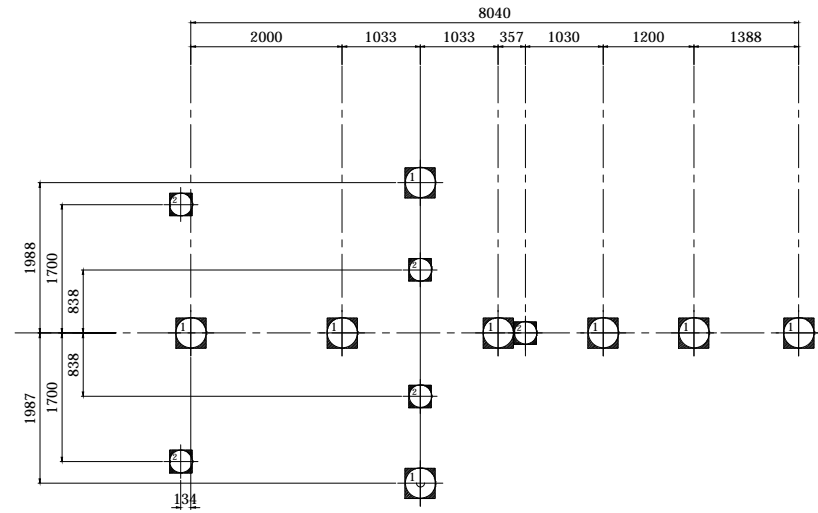
UKI Dynamic

Model Name: **UKI-DY105-9**

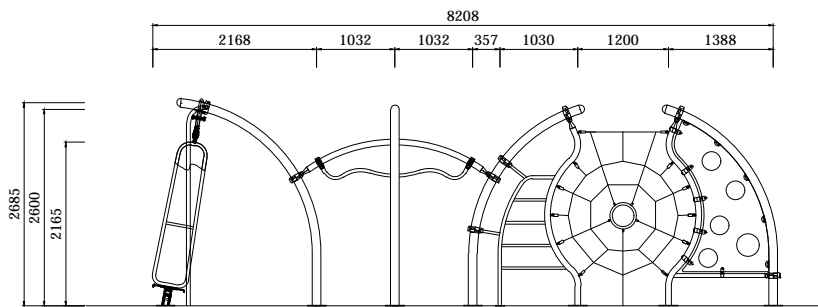




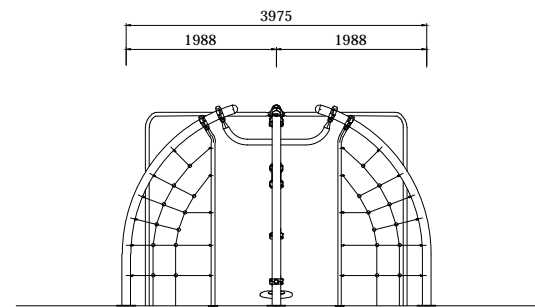
PLAN LAYOUT



FOOTING LAYOUT



ELEVATION - FRONT



ELEVATION - RIGHT

Specification
Product Category : UKI Dynamic
Model Name : UKI-DY105-9
Standards: AS4685 Parts1-6 & 11 - 2014
Scale: 1:100 @ A4

- Summary:
- Play structure size : 8.2m x 4.0m
 - Approx. soft fall area : 52.8m²
 - Approx. soft fall size : 11.7m x 7.0m
 - Accommodates : 15 to 20 children
 - Overall height : 2.7m
 - Free height of fall : 1.9m

