

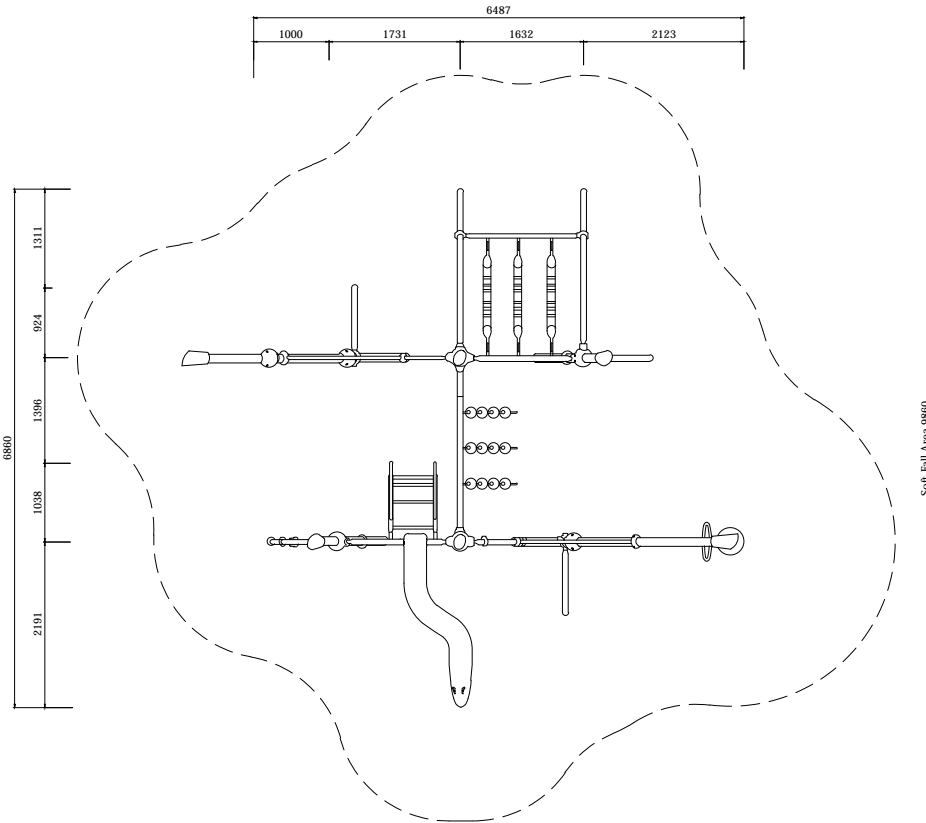
CLIMBING & BALANCING

REACTIONS

Model Name: **U2-RA303**

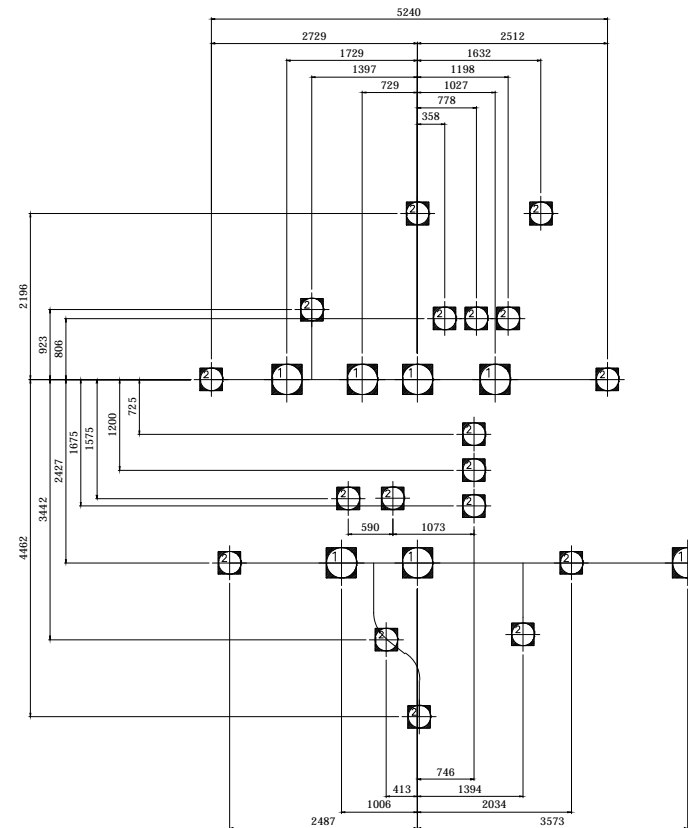


Soft Fall Area 10821

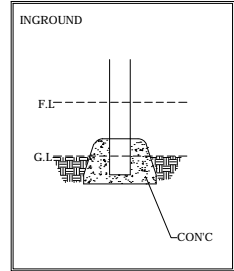


PLAN LAYOUT

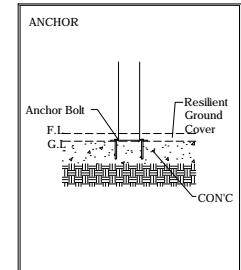
Soft Fall Area 9880



FOOTING LAYOUT



Scale : NTS



Scale : NTS

TYPICAL FOOTING DETAILS

Specification

Product Category : Reactions

Model Name : U2-RA303

Standards: AS4685 Parts 1-6 & 11 - 2014

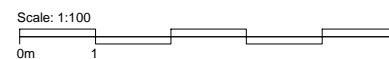
Scale: 1:100 @ A4

Summary:

- Play structure size : 6.9m x 6.5m
- Approx. soft fall area : 70.2m²
- Approx. soft fall size : 10.8m x 9.9m
- Accommodates : 35 to 40 children
- Overall height : 4.3m
- Free height of fall : 1.8m



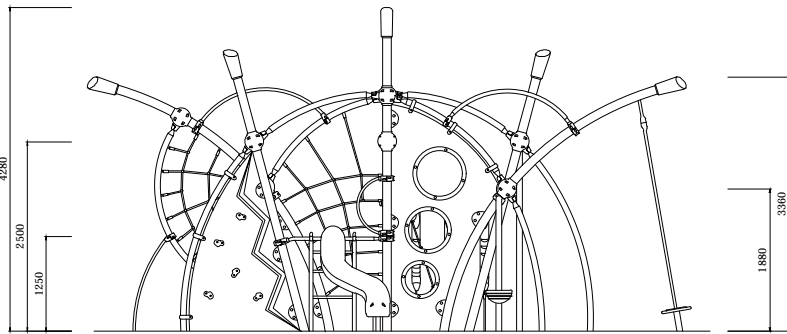
CRS Creative Recreation Solutions PTY LTD
 Address: Unit 1/25 Durgadin Drive Albion Park Rail NSW 2527
 Phone: (02) 4256 2991 Fax: (02) 4256 3991 E-mail: info@crs.net.au Web: www.crs.net.au



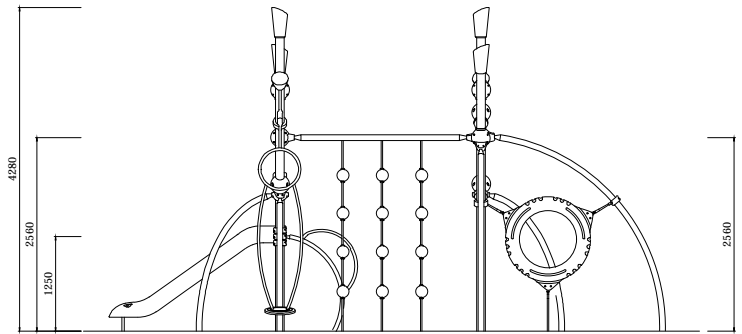
Note:
 • DO NOT mirror, reverse or reflect this design
 • DO NOT scale in any way

If in doubt ask one of our friendly staff:
 Phone: (02) 4256 2991 E-mail: info@crs.net.au

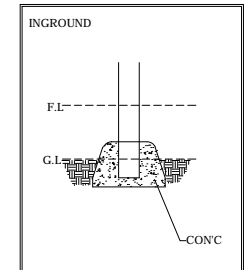




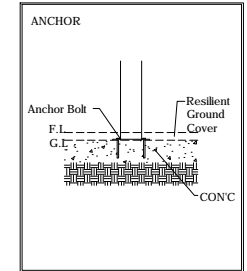
ELEVATION - FRONT



ELEVATION - RIGHT



Scale : NTS



Scale : NTS

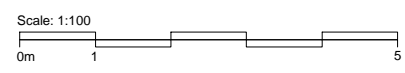
TYPICAL FOOTING DETAILS

Specification
Product Category : Reactions
Model Name : U2-RA303
Standards: AS4685 Parts-1-6 & 11 - 2014
Scale: 1:100 @ A4

- Summary:
- Play structure size : 6.9m x 6.5m
 - Approx. soft fall area : 70.2m²
 - Approx. soft fall size : 10.8m x 9.9m
 - Accommodates : 35 to 40 children
 - Overall height : 4.3m
 - Free height of fall : 1.8m



CRS Creative Recreation Solutions PTY LTD
 Address: Unit 1/25 Durgadin Drive Albion Park Rail NSW 2527
 Phone: (02) 4256 2991 Fax: (02) 4256 3991 E-mail: info@crs.net.au Web: www.crs.net.au



Note:
 • DO NOT mirror, reverse or reflect this design
 • DO NOT scale in any way
 If in doubt ask one of our friendly staff:
 Phone: (02) 4256 2991 E-mail: info@crs.net.au

