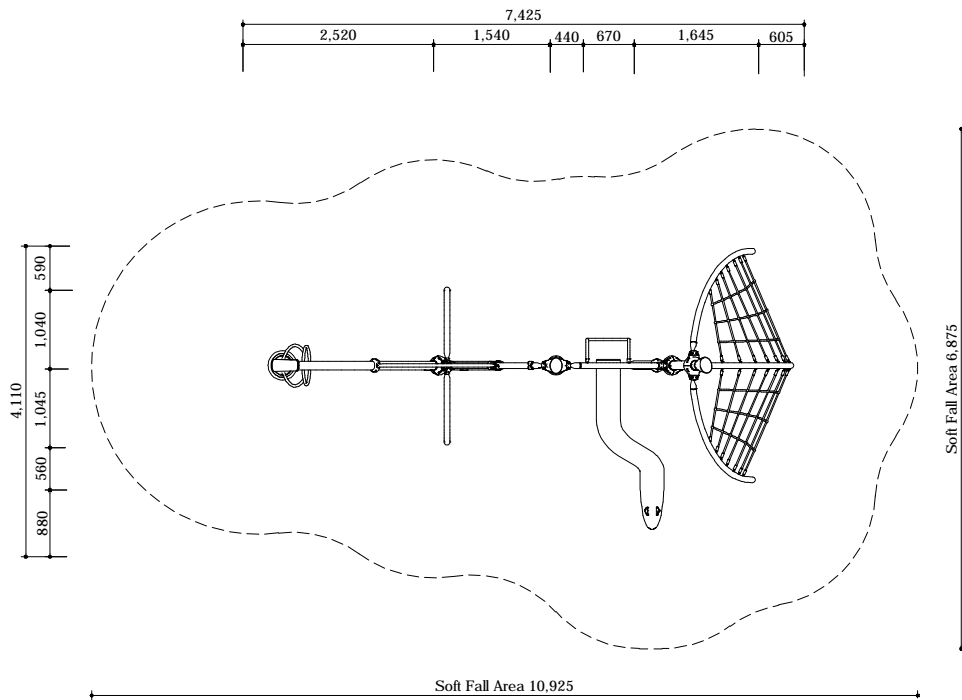


CLIMBING & BALANCING

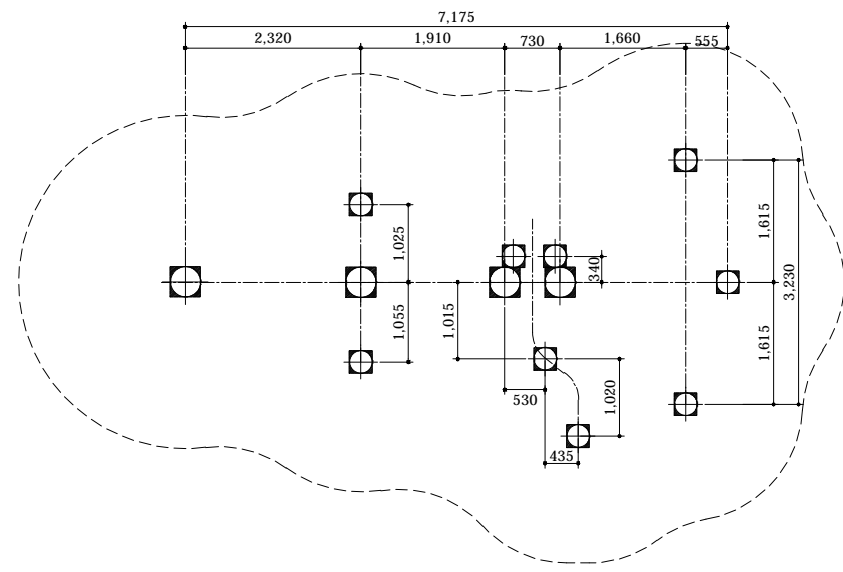
REACTIONS

Model Name: **U2-RA301**

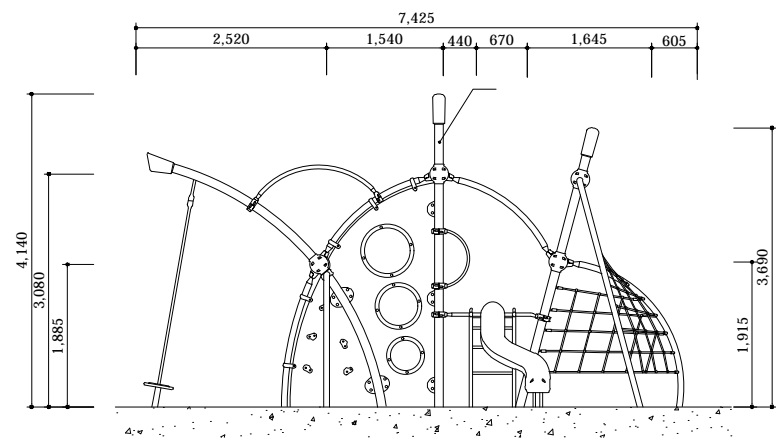




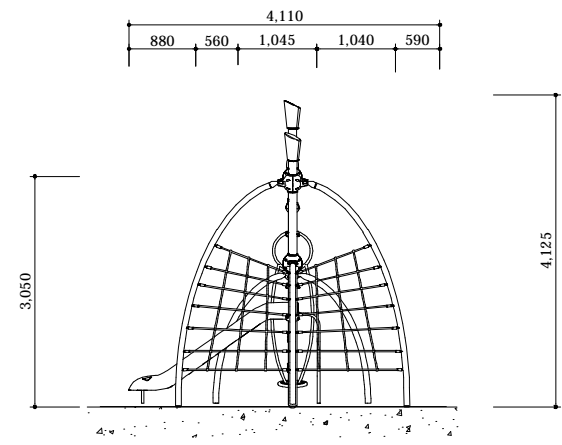
PLAN LAYOUT



TYPICAL FOOTING DETAILS



ELEVATION - FRONT



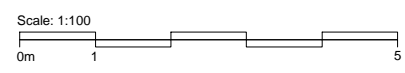
ELEVATION - RIGHT

Specification
Product Category : Reactions
Model Name : U2-RA301
Standards: AS4685 Parts1-6 & 11 - 2014
Scale: 1:100 @ A4

- Summary:
- Play structure size : 7.4m x 4.1m
 - Approx. soft fall area : 54.4m²
 - Approx. soft fall size : 10.9m x 6.9m
 - Accommodates : 20 to 25 children
 - Overall height : 4.2m
 - Free height of fall : 1.7m



CRS Creative Recreation Solutions PTY LTD
 Address: Unit 1/25 Durgadin Drive Albion Park Rail NSW 2527
 Phone: (02) 4256 2991 Fax: (02) 4256 3991 E-mail: info@crs.net.au Web: www.crs.net.au



Note:
 • DO NOT mirror, reverse or reflect this design
 • DO NOT scale in any way
 If in doubt ask one of our friendly staff:
 Phone: (02) 4256 2991 E-mail: info@crs.net.au

