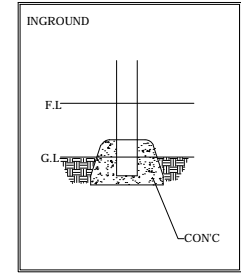
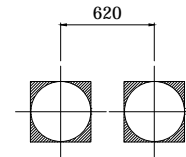
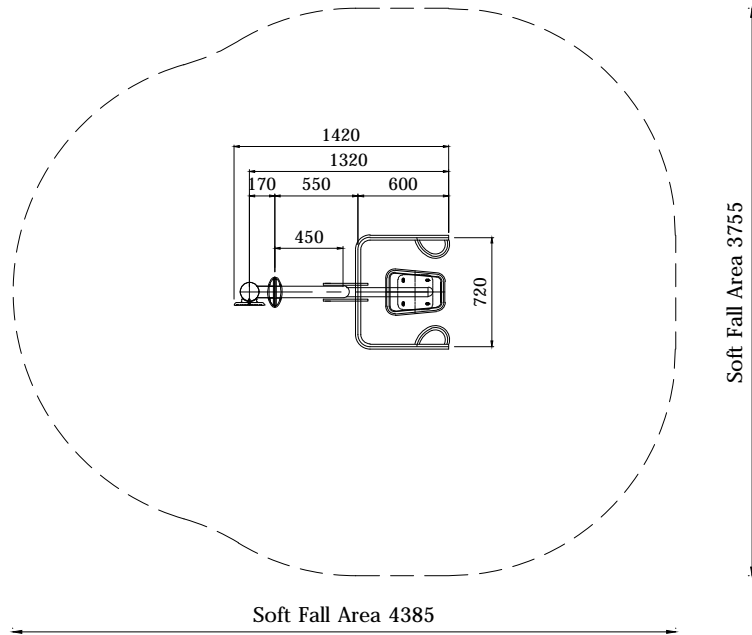


OUTDOOR FITNESS EQUIPMENT

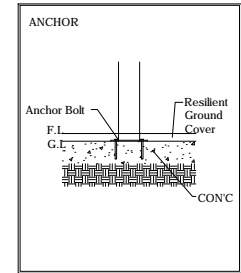


Model Name: **MB-FIT110A**





Scale : NTS



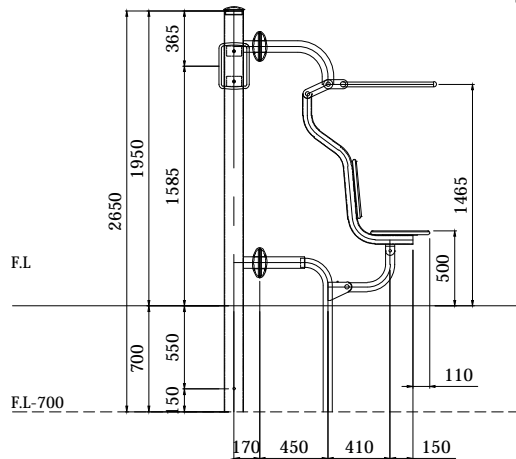
Scale : NTS

PLAN LAYOUT

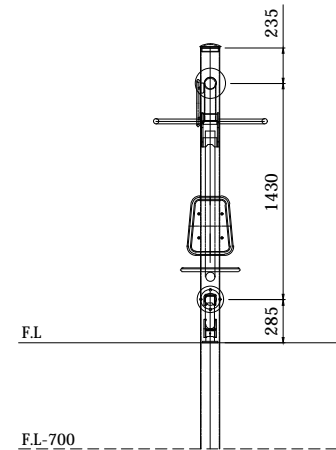
SIZE : 1.42m*0.72m
 USE ZONE : 4.4m*3.8m
 DESIGNED FOR CHILDREN : AGE 13 YEARS ~
 OVERALL HEIGHT : 1.95m
 CRITICAL FALL HEIGHT : 0.5m
 MAX.PERMISSIBLE WORK LOAD : 150kg

FOOTING LAYOUT

TYPICAL FOOTING DETAILS



ELEVATION - FRONT



ELEVATION - RIGHT

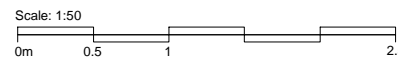
Specification
Product Category : MB Fitness
Model Name : MB-FIT110A
Standards: AS4685 Parts1-6 & 11 - 2014
Scale: 1:50 @ A4

Summary:

- Play structure size : 1.4m x 0.7m
- Approx. soft fall area : 13.4m²
- Approx. soft fall size : 4.4m x 3.8m
- Accommodates : 1 person
- Overall height : 2.0m
- Free height of fall : 0.5m



CRS Creative Recreation Solutions PTY LTD
 Address: Unit 1/25 Durgadin Drive Albion Park Rail NSW 2527
 Phone: (02) 4256 2991 Fax: (02) 4256 3991 E-mail: info@crs.net.au Web: www.crs.net.au



Note:
 • DO NOT mirror, reverse or reflect this design
 • DO NOT scale in any way
 If in doubt ask one of our friendly staff:
 Phone: (02) 4256 2991 E-mail: info@crs.net.au

