

Robiniastory

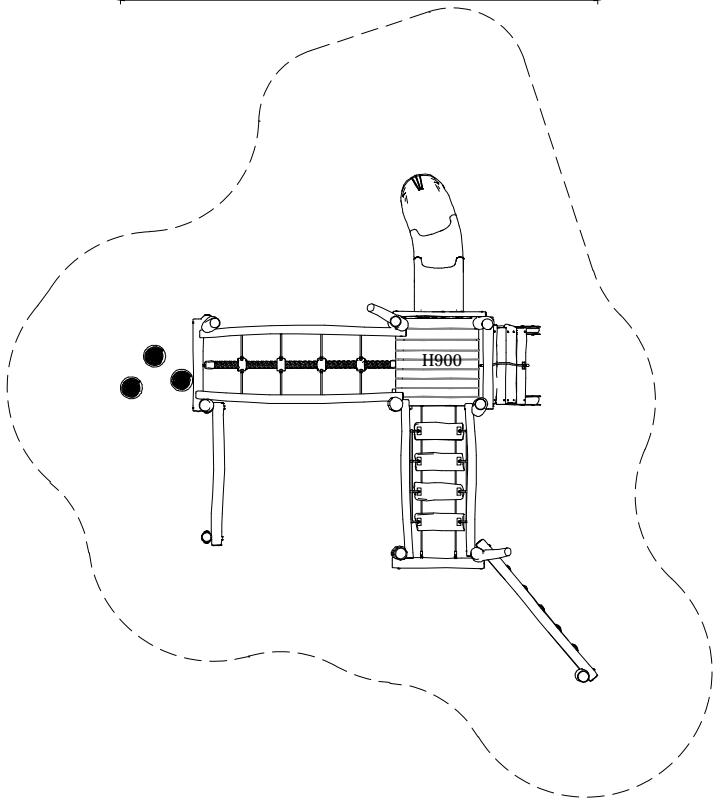
2100 SERIES – JUNGLE EXPEDITION

Model Name: **UL-WS2105-1**



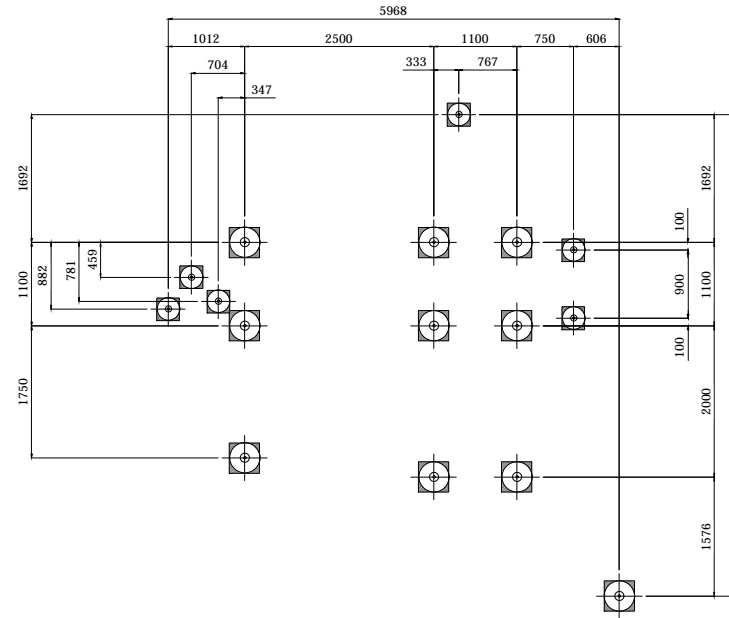
Soft Fall Area 9327

6311

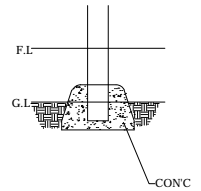


6722

Soft Fall Area 10438

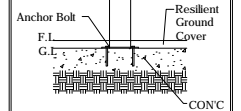


INGROUND



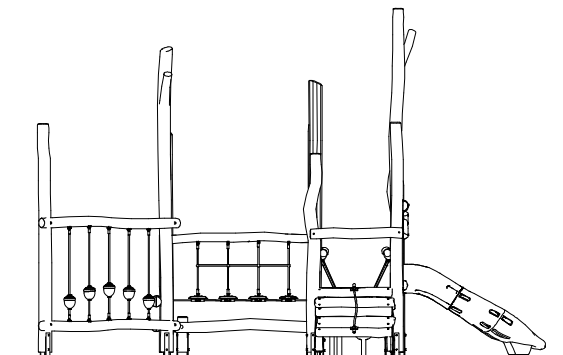
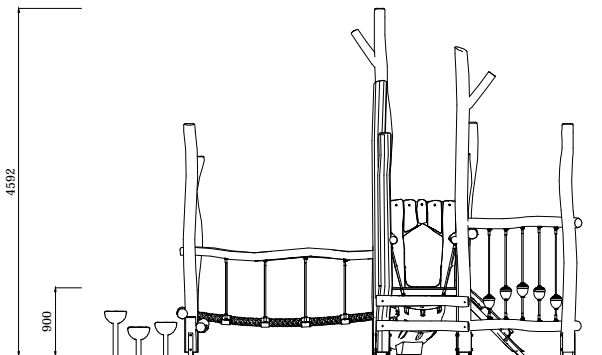
Scale : NTS

ANCHOR



Scale : NTS

TYPICAL FOOTING DETAILS



Specification

Product Category : Jungle Expedition

Model Name : UL-WS2105-1

Standards: AS4685 Parts1-6 & 11 - 2014

Scale: 1:100 @ A4

Summary:

- Play structure size : 6.7m x 6.3m
- Approx. soft fall area : 59.6m²
- Approx. soft fall size : 10.4m x 9.3m
- Accommodates : 15 to 20 children
- Overall height : 4.6m
- Free height of fall : 0.9m

meglio
AUSTRALIA



CRS Creative Recreation Solutions PTY LTD
Address: Unit 1/25 Durgadin Drive Albion Park Rail NSW 2527
Phone: (02) 4256 2991 Fax: (02) 4256 3991 E-mail: info@crs.net.au Web: www.crs.net.au

Scale: 1:100



- Note:
- DO NOT mirror, reverse or reflect this design
 - DO NOT scale in any way

If in doubt ask one of our friendly staff:
Phone: (02) 4256 2991 E-mail: info@crs.net.au

