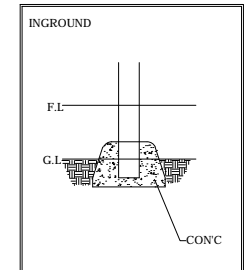
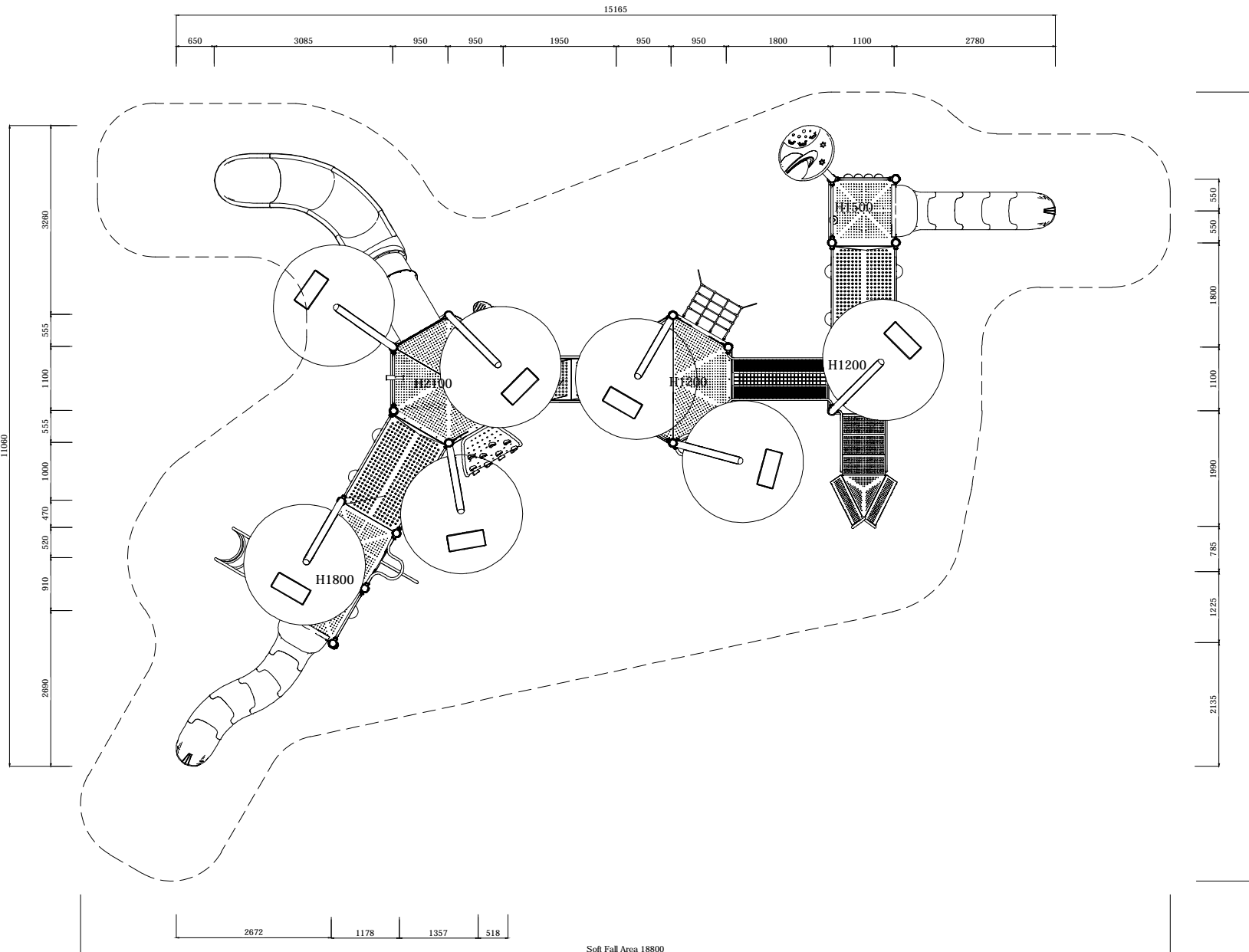


UL-PLAY SYSTEMS CE RANGE

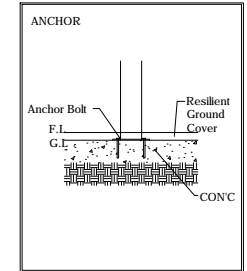
# FUTURE

Model Name: **UL-CE306**





Scale : NTS



Scale : NTS

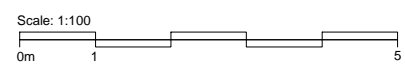
Specification
Product Category : Future
Model Name : UL-CE306
Standards: AS4685 Parts1-6 & 11 - 2014
Scale: 1:100 @ A4

- Summary:
- Play structure size : 15.17m x 11.06m
  - Approx. soft fall area : 143.6m<sup>2</sup>
  - Approx. soft fall size : 18.8m x 13.62m
  - Accommodates : 75 to 80 children
  - Overall height : 5.3m
  - Free height of fall : 2.1m

PLAN LAYOUT

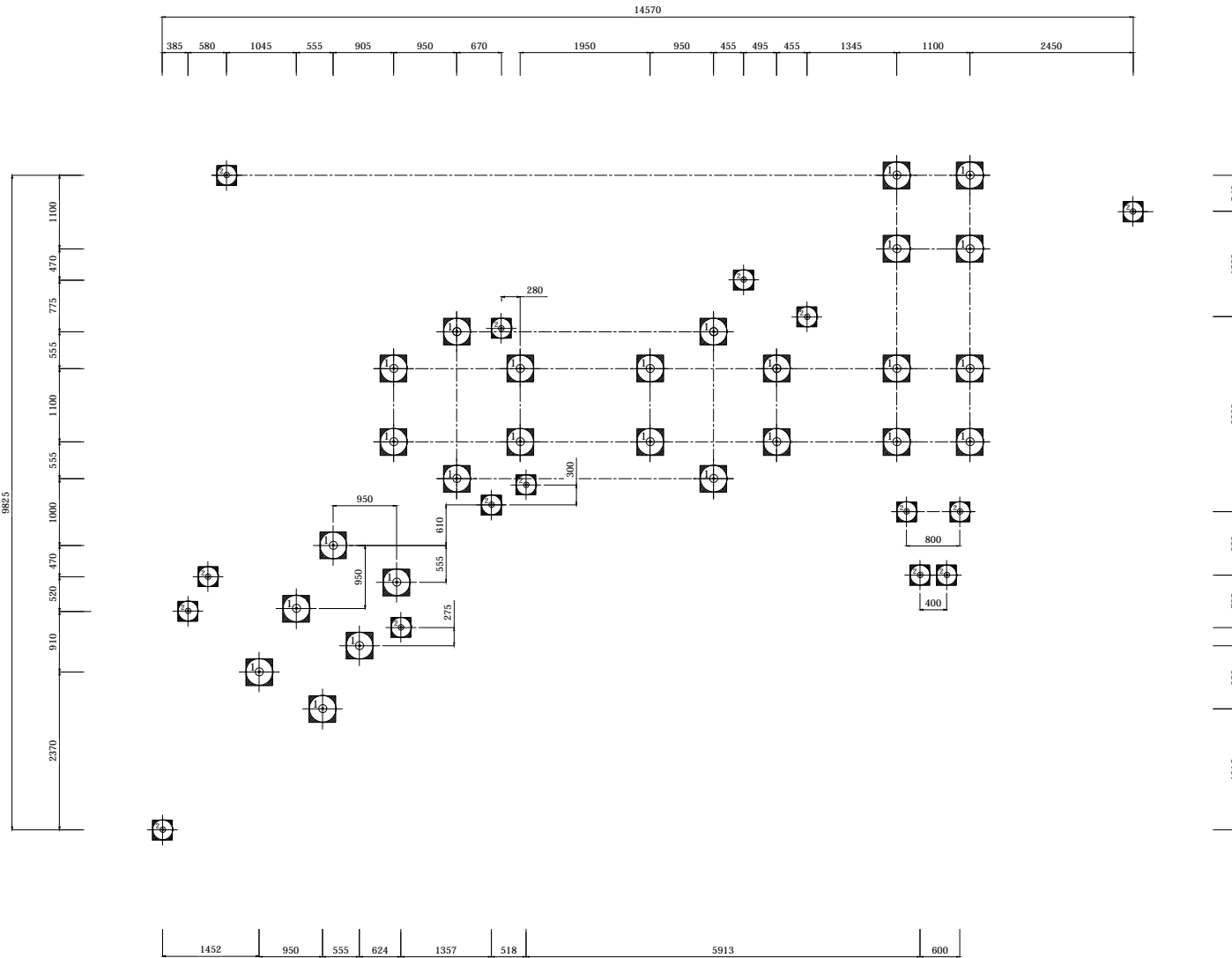


CRS Creative Recreation Solutions PTY LTD  
 Address: Unit 1/25 Durgadin Drive Albion Park Rail NSW 2527  
 Phone: (02) 4256 2991 Fax: (02) 4256 3991 E-mail: info@crs.net.au Web: www.crs.net.au

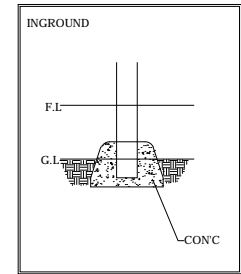


Note:  
 • DO NOT mirror, reverse or reflect this design  
 • DO NOT scale in any way  
 If in doubt ask one of our friendly staff:  
 Phone: (02) 4256 2991 E-mail: info@crs.net.au

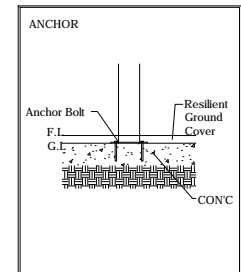




FOOTING LAYOUT



Scale : NTS



Scale : NTS

Specification

Product Category : Future

Model Name : UL-CE306

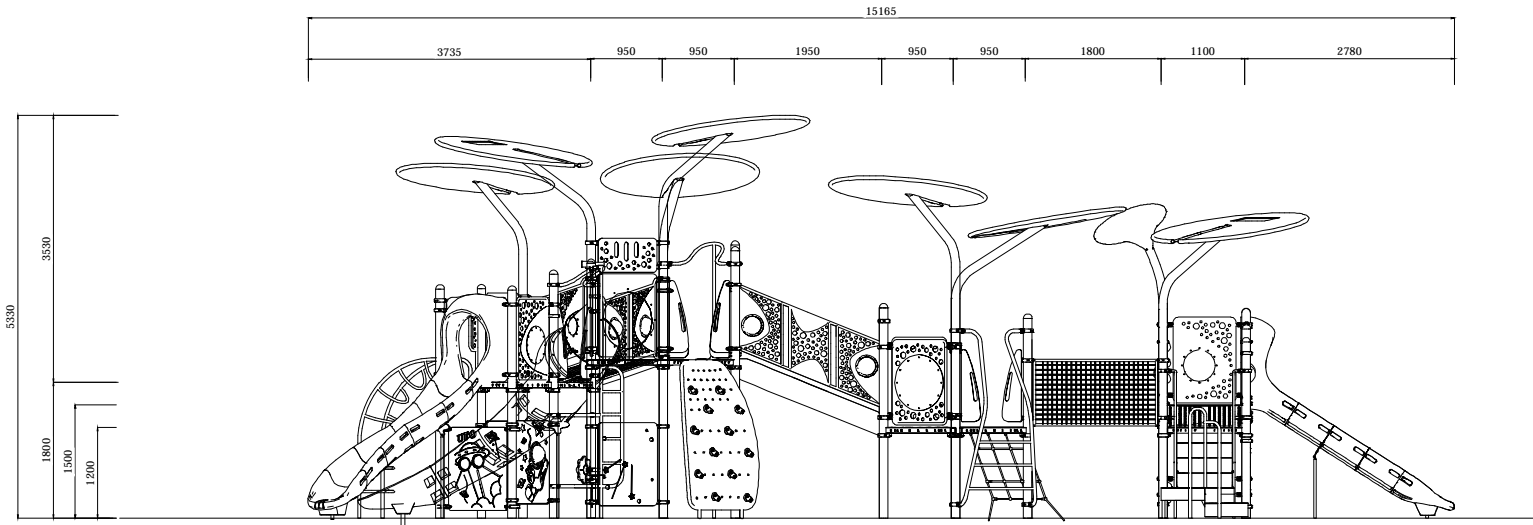
Standards: AS4685 Parts1-6 & 11 - 2014

Scale: 1:100 @ A4

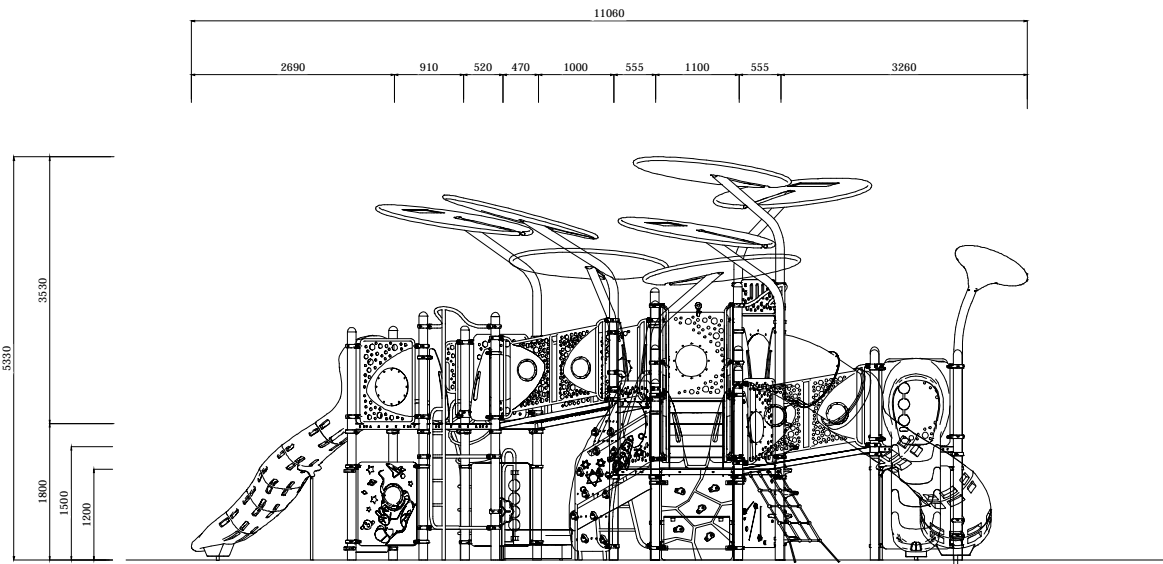
Summary:

- Play structure size : 15.17m x 11.06m
- Approx. soft fall area : 143.6m<sup>2</sup>
- Approx. soft fall size : 18.8m x 13.62m
- Accommodates : 75 to 80 children
- Overall height : 5.3m
- Free height of fall : 2.1m





ELEVATION - FRONT



ELEVATION - RIGHT

Specification
Product Category : Future
Model Name : UL-CE306
Standards: AS4685 Parts1-6 & 11 - 2014
Scale: 1:100 @ A4

Summary:

- Play structure size : 15.17m x 11.06m
- Approx. soft fall area : 143.6m<sup>2</sup>
- Approx. soft fall size : 18.8m x 13.62m
- Accommodates : 75 to 80 children
- Overall height : 5.3m
- Free height of fall : 2.1m

