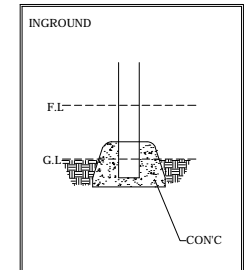
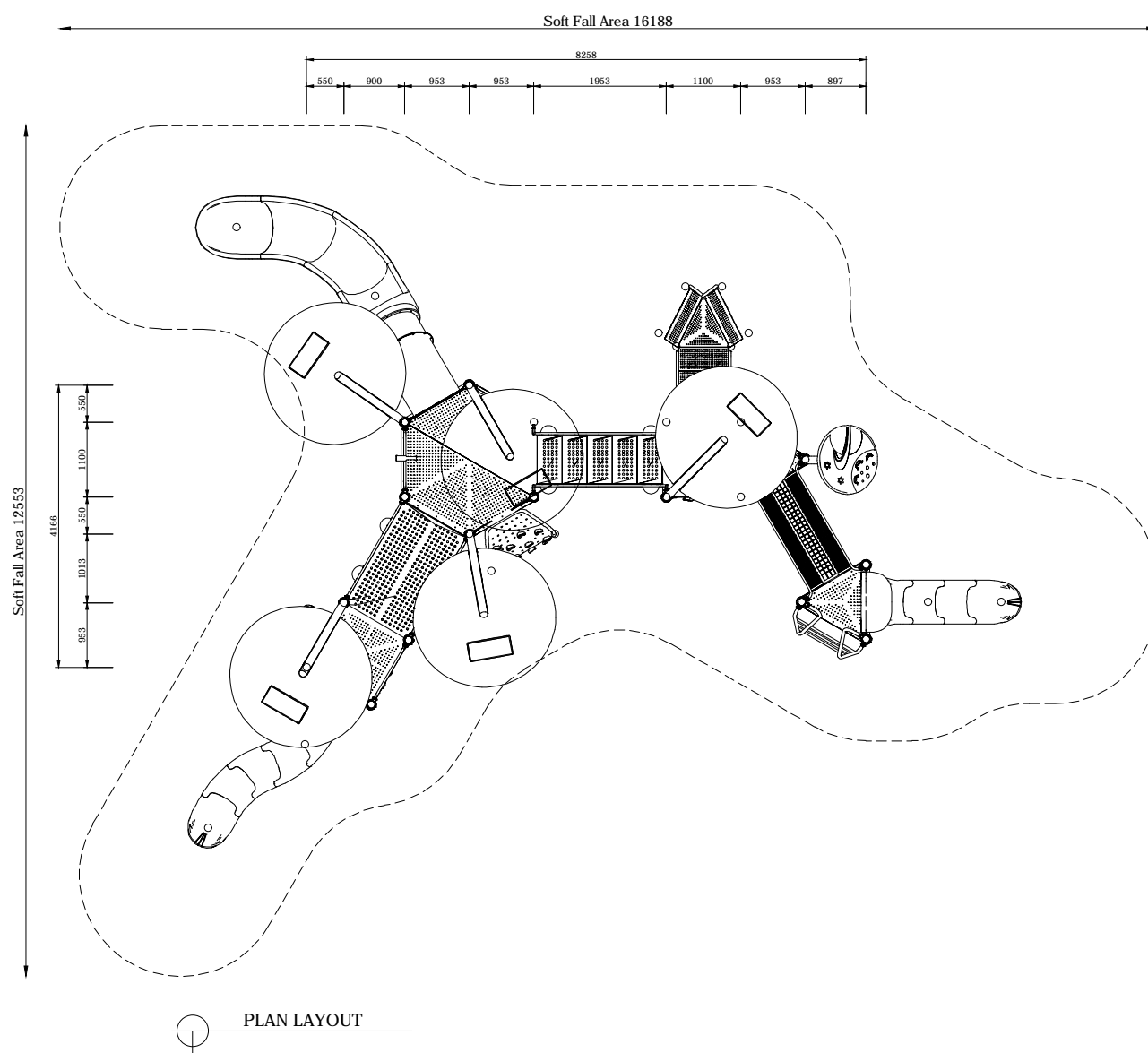


UL-PLAY SYSTEMS CE RANGE

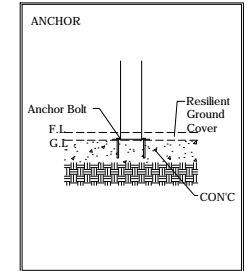
FUTURE

Model Name: **UL-CE305**





Scale : NTS



Scale : NTS

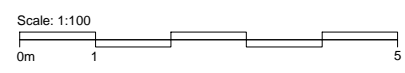
TYPICAL FOOTING DETAILS

Specification
Product Category : Future
Model Name : UL-A103
Standards: AS4685 Parts-1-6 & 11 - 2014
Scale: 1:100 @ A4

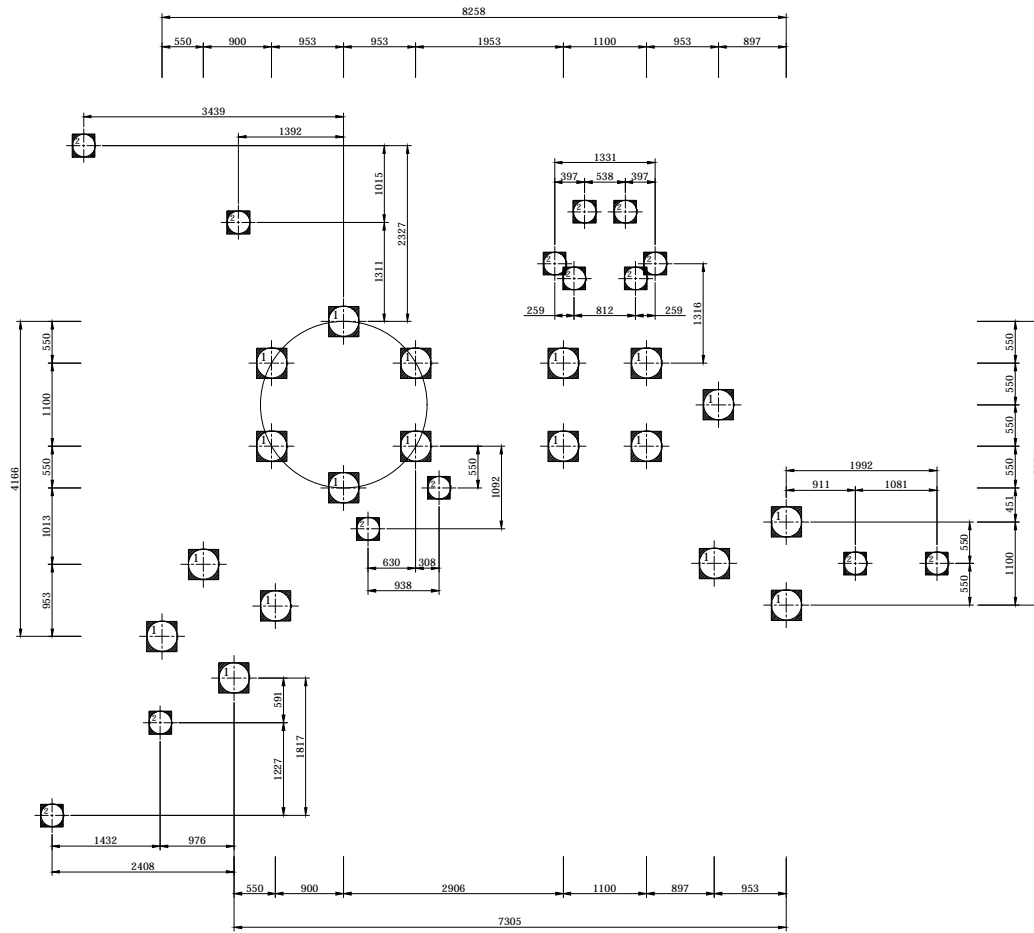
- Summary:
- Play structure size : 12.2m x 9.6m
 - Approx. soft fall area : 106.4m²
 - Approx. soft fall size : 16.2m x 12.6m
 - Accommodates : 50 to 55 children
 - Overall height : 5.3m
 - Free height of fall : 2.1m



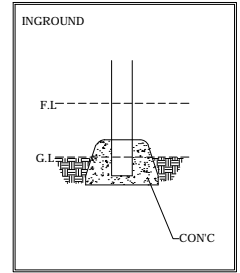
CRS Creative Recreation Solutions PTY LTD
 Address: Unit 1/25 Durgadin Drive Albion Park Rail NSW 2527
 Phone: (02) 4256 2991 Fax: (02) 4256 3991 E-mail: info@crs.net.au Web: www.crs.net.au



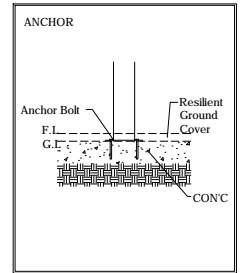
Note:
 • DO NOT mirror, reverse or reflect this design
 • DO NOT scale in any way
 If in doubt ask one of our friendly staff:
 Phone: (02) 4256 2991 E-mail: info@crs.net.au



FOOTING LAYOUT



Scale : NTS



Scale : NTS

TYPICAL FOOTING DETAILS

Specification
Product Category : Future
Model Name : UL-A103
Standards: AS4685 Parts1-6 & 11 - 2014
Scale: 1:100 @ A4

- Summary:**
- Play structure size : 12.2m x 9.6m
 - Approx. soft fall area : 106.4m²
 - Approx. soft fall size : 16.2m x 12.6m
 - Accommodates : 50 to 55 children
 - Overall height : 5.3m
 - Free height of fall : 2.1m

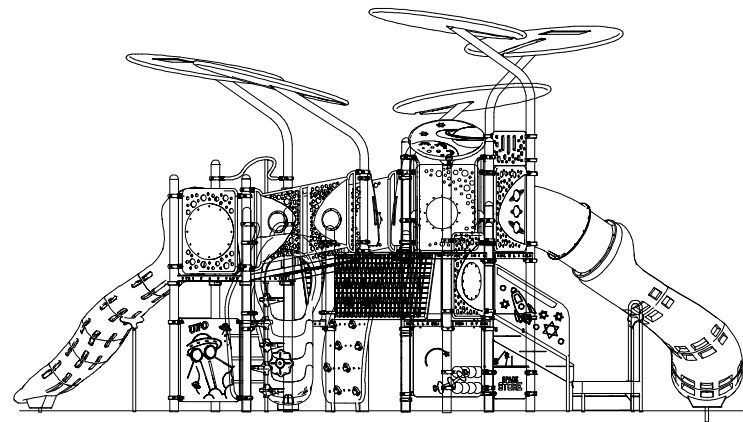
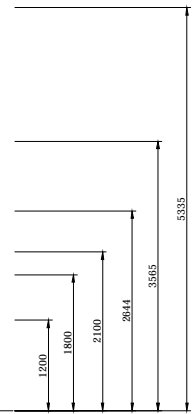
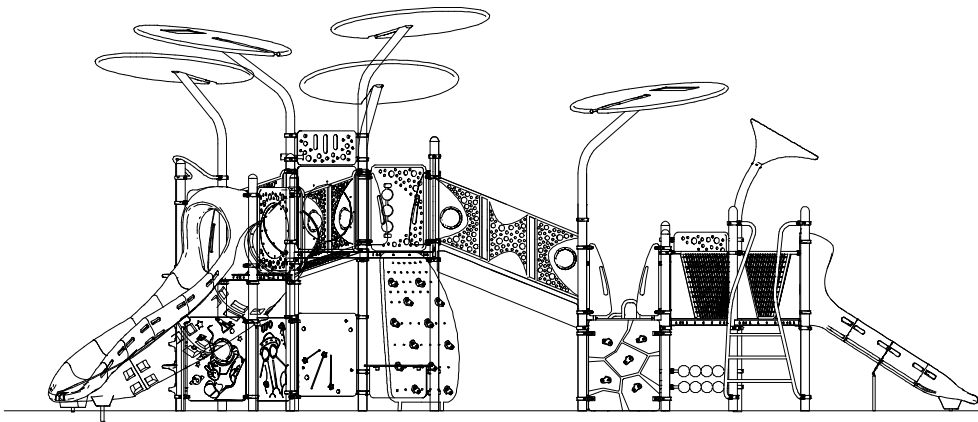


CRS Creative Recreation Solutions PTY LTD
 Address: Unit 1/25 Durgadin Drive Albion Park Rail NSW 2527
 Phone: (02) 4256 2991 Fax: (02) 4256 3991 E-mail: info@crs.net.au Web: www.crs.net.au



- Note:**
- DO NOT mirror, reverse or reflect this design
 - DO NOT scale in any way

If in doubt ask one of our friendly staff:
 Phone: (02) 4256 2991 E-mail: info@crs.net.au



ELEVATION - FRONT

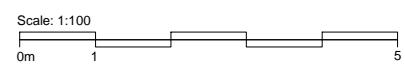
ELEVATION - RIGHT

Specification
Product Category : Future
Model Name : UL-A103
Standards: AS4685 Parts1-6 & 11 - 2014
Scale: 1:100 @ A4

- Summary:
- Play structure size : 12.2m x 9.6m
 - Approx. soft fall area : 106.4m²
 - Approx. soft fall size : 16.2m x 12.6m
 - Accommodates : 50 to 55 children
 - Overall height : 5.3m
 - Free height of fall : 2.1m



CRS Creative Recreation Solutions PTY LTD
 Address: Unit 1/25 Durgadin Drive Albion Park Rail NSW 2527
 Phone: (02) 4256 2991 Fax: (02) 4256 3991 E-mail: info@crs.net.au Web: www.crs.net.au



Note:
 • DO NOT mirror, reverse or reflect this design
 • DO NOT scale in any way
 If in doubt ask one of our friendly staff:
 Phone: (02) 4256 2991 E-mail: info@crs.net.au