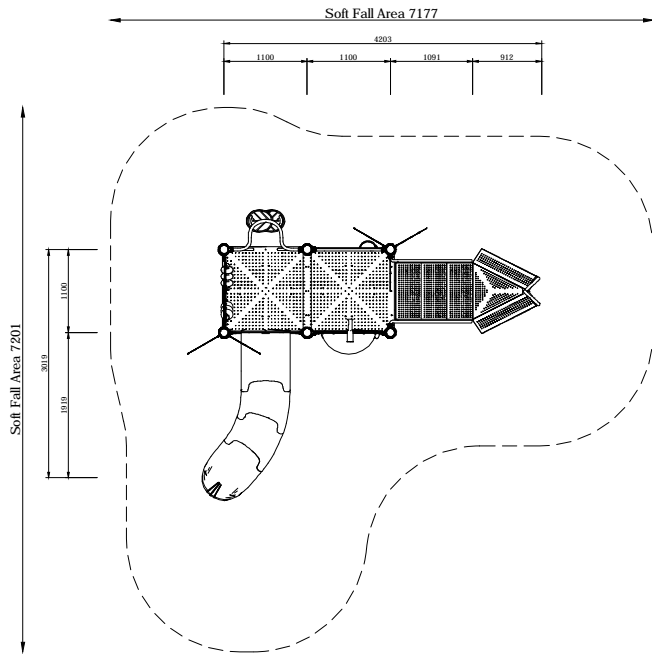


UL-PLAY SYSTEMS CE RANGE

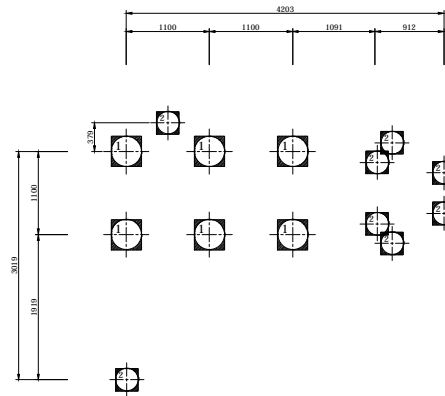
# PINE FOREST

Model Name: **UL-CE201**

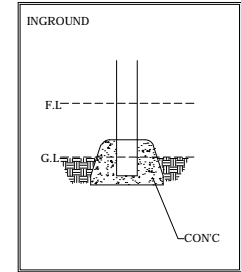




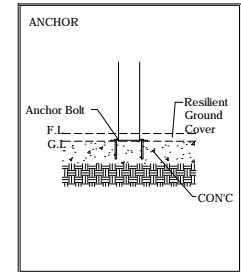
ELEVATION - FRONT



FOOTING LAYOUT

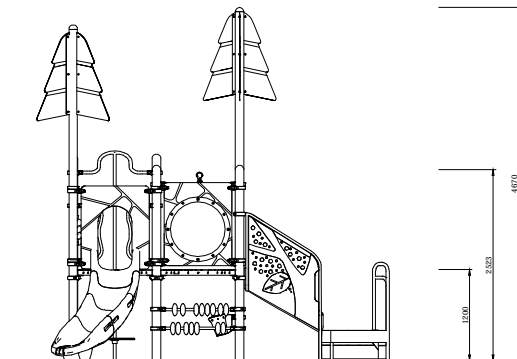


Scale : NTS

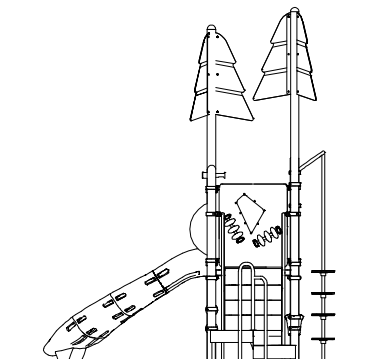


Scale : NTS

TYPICAL FOOTING DETAILS



ELEVATION - FRONT



ELEVATION - RIGHT

Specification

Product Category : Pine Forest

Model Name : UL-CE201

Standards: AS4685 Parts1-6 & 11 - 2014

Scale: 1:100 @ A4

Summary:

- Play structure size : 4.2m x 3.0m
- Approx. soft fall area : 36.9m<sup>2</sup>
- Approx. soft fall size : 7.2m x 7.2m
- Accommodates : 5 to 10 children
- Overall height : 4.7m
- Free height of fall : 1.2m

